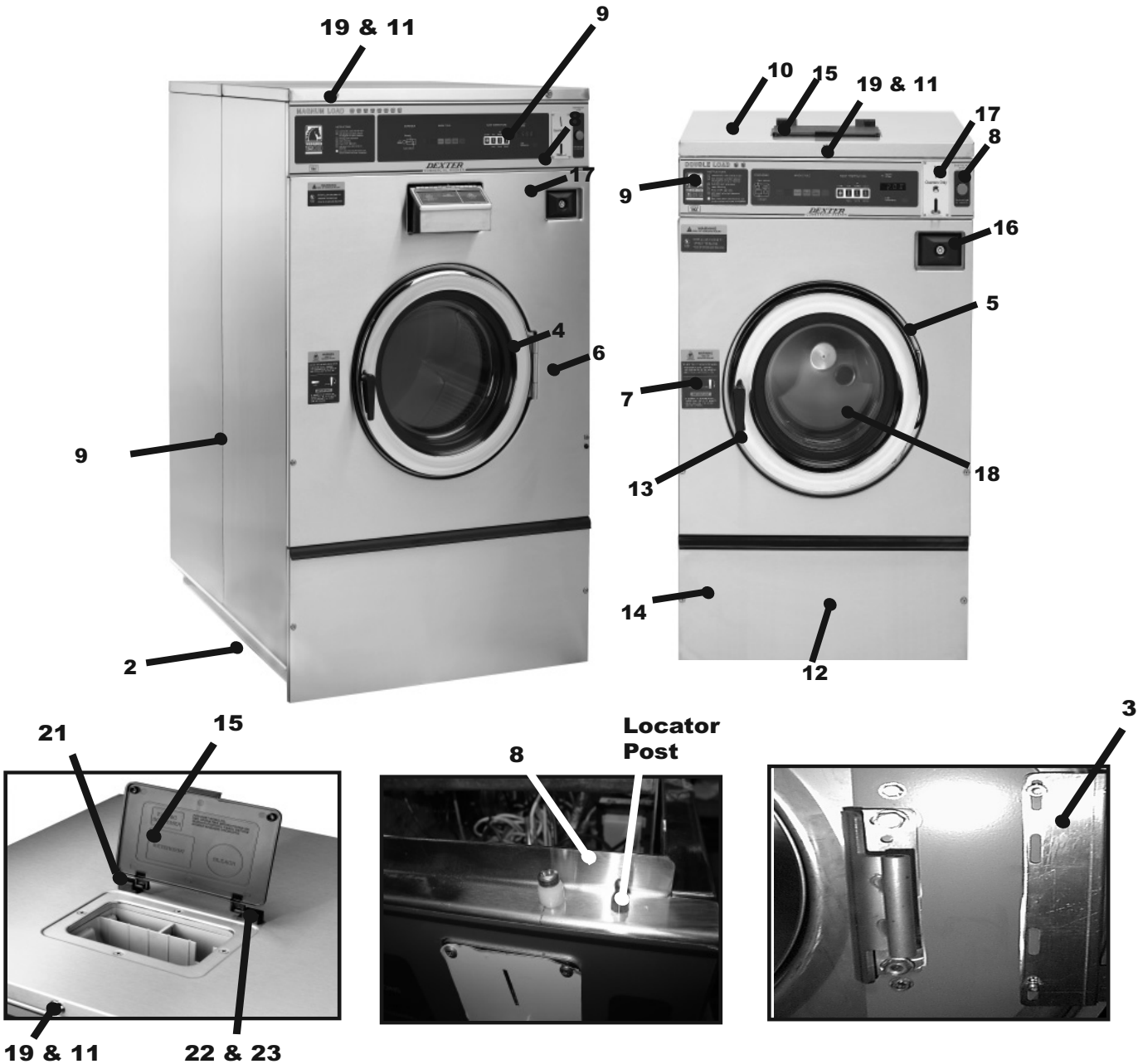


Key	Description	T-300	T-400	T-600	T-900	T-1200	QTY
--	Kit, Door Gasket Expander (large)	9732-139-002	9732-139-002	9732-139-002	9732-139-002	9732-139-002	
--	Kit, Door Gasket Expander (small)	9732-139-001	9732-139-001	9732-139-001	9732-139-001	9732-139-001	
--	Hose, Water Supply 3/8" I.D. x 48"	9990-027-011	9990-027-011	9990-027-011			2
--	Hose, Water Supply 5/8" I.D. x 48"				9990-027-013	9990-027-013	2
--	Washer, Inlet Hose (furnished)	8641-242-000	8641-242-000	8641-242-000	8641-242-000	8641-242-000	2
--	Strainer, Inlet Hose (furnished)	9565-003-001	9565-003-001	9565-003-001	9565-003-001	9565-003-001	2
--	Drain hose 10 ft. length x 2-1/4" I.D	9242-417-002					
--	Drain hose 10 ft. length x 3" I.D.	9242-417-003	9242-417-003	9242-417-003	9242-417-003	9242-417-003	
--	Bevel Washer for 5/8" bolt used in installations using angle iron bases	8641-586-002	8641-586-002	8641-586-002	8641-586-002	8641-586-002	
--	Bevel Washer for 3/4" bolt used in installations using angle iron bases	8641-586-003	8641-586-003	8641-586-003	8641-586-003	8641-586-003	
--	Sealing compound	8538-151-001	8538-151-001	8538-151-001	8538-151-001	8538-151-001	
--	TORX#20	8545-051-002	8545-051-002	8545-051-002	8545-051-002	8545-051-002	
--	Special Tool For Removing Coin Acceptor Mounting Screws. (T-10 Torx)	8545-051-003	8545-051-003	8545-051-003	8545-051-003	8545-051-003	
--	Flow Restrictors (in dispenser)	9475-002-002	9475-002-002	9475-002-002	9475-002-002	9475-002-003	2
--	Battery (used on Control PCB)	8612-001-001	8612-001-001	8612-001-001	8612-001-001	8612-001-001	
--	Special Tool for adjusting spacing between outer tub front and cylinder front				8545-056-001	8545-056-001	
--	VFD Filter options (1 phase) 120v	9183-041-001					
--	VFD Filter options (3 phase)	9183-042-001	9183-037-001	9183-037-001	9183-037-001	9183-037-001	
--	VFD Filter options (1 phase)	9183-044-001	9183-045-001	9183-045-001	9183-045-001	9183-045-001	
--	Puller for pushing cylinder out of bearings must be purchased from local sources.						
--	Clamps to hold tub front to outer tub when installing tub front				Vise Grip #11R	Vise Grip #11R	
--	Coin OP CD for OS2 platform for infrared programming devices	9504-010-001	9504-010-001	9504-010-001	9504-010-001	9504-010-001	
--	Coin Bearing & Seal Kit	9732-219-001	9732-219-002	9732-219-004	9732-219-006	9732-219-006	
--	Coin Op CD with OS2 Platform for A Series Washers Only	9504-015-011	9504-015-011	9504-015-011	9504-015-011	9504-015-011	

Cabinet and Front Panel Group Part # by Model

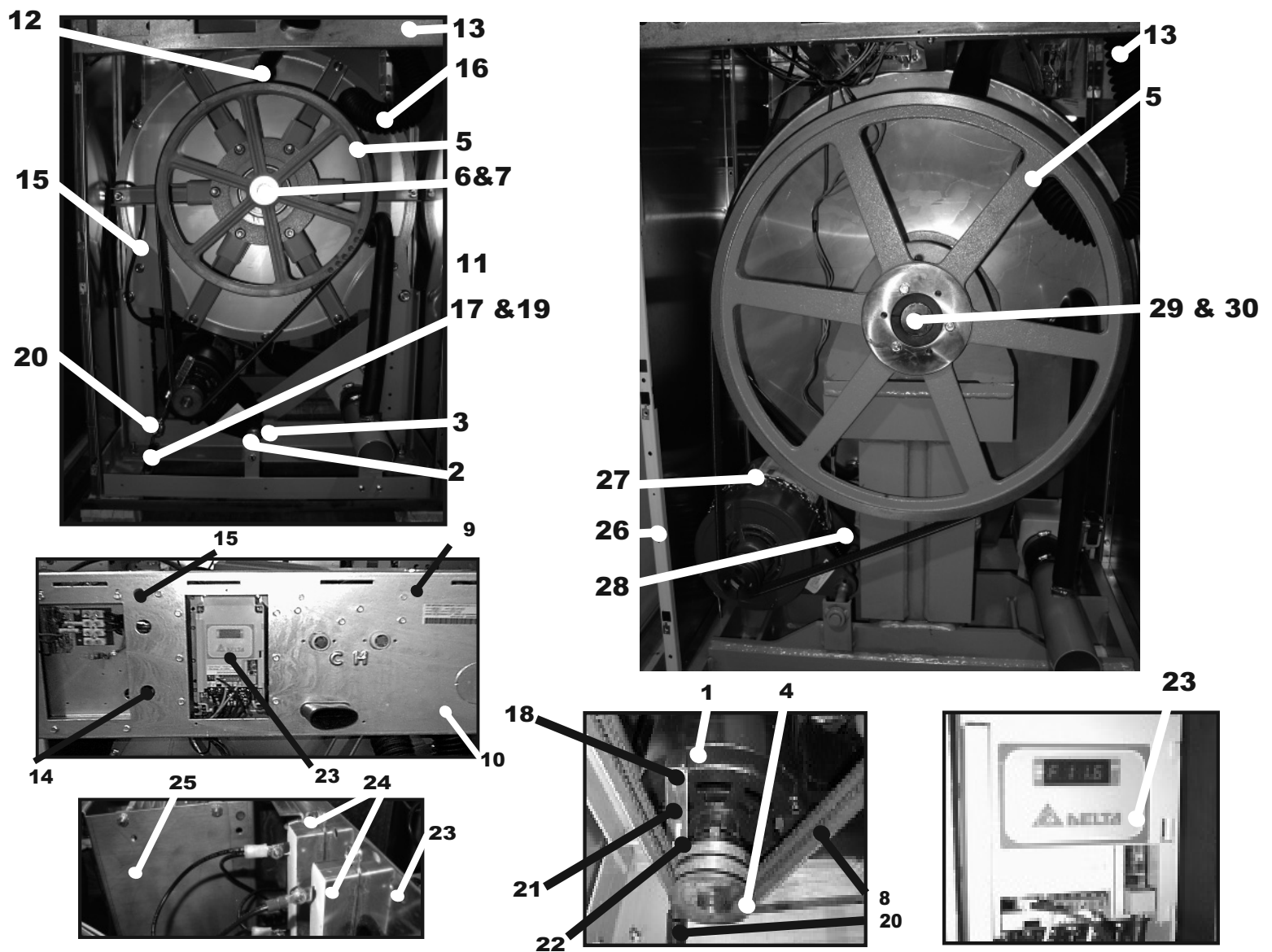
Key	Description	T-300	T-400	T-600	T-900	T-1200	QTY
1	Panel, Side (Left or Right) - stainless		9454-656-001	9989-449-001			2
1	Panel, Side (Left or Right) - stainless				9454-672-001	9454-760-001	4
1	Panel, Right Side-stainless	9454-635-005					1
1	Panel, Left Side - stainless	9454-635-006					1
2	Screw, (Side Panel to Base)	9545-018-018	9545-018-013				6
2	Screw, (Side Panel to Base)			9545-018-013	9545-018-013	9545-018-013	8
2	Nut, Hex 1/4-20 UNC	8640-414-006	8640-414-006				6
2	Nut, Hex 1/4-20 UNC			8640-414-006	8640-414-006	8640-414-006	8
3	Bracket, Side Panel under front panel	9029-066-001	9029-066-001	9029-066-001			1
•	Nut, Hex	8640-413-002	8640-413-002	8640-413-002			2
*	Screw	9545-008-031	9545-008-024	9545-008-024			2
4	Panel Assy, Front	9454-781-001	9454-659-001	9454-669-001	9454-671-001	9454-763-001	1
*	Stop Button Mounting Plate	9452-725-001	9452-725-001	9452-725-001	9452-725-001	9452-725-00	1
5	Band, Edge Protector	9059-063-004	9059-063-002	9059-063-002	9059-063-002	9059-063-002	1
*	Bumper Loading Door					9051-053-001	1
*	Screw, Hex- To Control Panel	9545-008-031	9545-008-024	9545-008-024	9545-008-024	9545-008-024	2
*	Nut, Spring- To Control Panel 10/32	8640-399-005	8640-399-005	8640-399-005	8640-399-005	8640-399-005	2
6	Screw, Flat Head- Front to Sides	9545-008-014	9545-008-014	9545-008-014	9545-008-014	9545-008-014	2
6	Washer, Finish	8641-585-001	8641-585-001	8641-585-001	8641-585-001	8641-585-001	2
*	Nut, Spring-To Front Panel	8640-399-008	8640-399-008	8640-399-008	8640-399-008	8640-399-008	2
7	Label, Door Opening	8502-723-001	8502-723-001	8502-723-001	8502-723-001	8502-723-001	2
8	Panel, Control (Mounts Nameplate)	9989-501-001	9989-497-001	9989-499-001	9989-500-001	9989-500-001	1
*	Screw, Control Panel to Sides	9545-008-026	9545-008-026	9545-008-026	9545-008-026	9545-008-026	4
9	Nameplate Decal, Control Panel	9412-135-001	9412-137-001	9412-139-001	9412-141-001	9412-142-001	1
10	Panel Top	9989-498-001	9989-498-003	9989-498-005	9454-736-001		1
10	Panel Top Front					9454-761-001	1
10	Panel Top Rear					9454-762-001	1
11	Lock, Top (w/Key)	8650-012-003	8650-012-003	8650-012-003			1
11	Lock, Top (w/Key)				8650-012-003	8650-012-003	2
--	Catch, Top Panel	9086-017-001	9086-017-001	9086-017-001			2
*	Screw, Guide	9545-008-023	9545-008-023	9545-008-023			2
12	Door, Lower Service	9108-096-001	9108-097-001	9108-097-001	9108-099-001	9108-099-001	1
13	Handle (bumper guard)	9244-081-001	9244-081-002	9244-081-002	9244-081-003	9244-081-003	1
*	Screw	9545-045-010	9545-045-010	9545-045-010	9545-045-010	9545-045-010	4
14	Screw Mtg., Flat Head	9545-008-014	9545-008-014	9545-008-014	9545-008-014	9545-008-014	2
14	Washer, Finish	8641-585-001	8641-585-001	8641-585-001	8641-585-001	8641-585-001	2
*	Nut, Spring	8640-399-008	8640-399-008	8640-399-008	8640-399-008	8640-399-008	2
15	Door, Dispenser	9108-095-005	9108-095-005	9108-095-005	9108-095-005		1
20	Pin, Plain	9451-191-001	9451-191-001	9451-191-001	9451-191-001		2
21	Post, Door Mounting	9467-025-001	9467-025-001	9467-025-001	9467-025-001		2



Key	Description	T-300	T-400	T-600	T-900	T-1200	QTY
22	Screw, Disp.Post Mtg	9545-045-002	9545-045-002	9545-045-002	9545-045-002		4
23	Screw, Disp. Mtg	9545-008-012	9545-008-012	9545-008-012	9545-008-012		4
16	SS Coin Box Assy, Coin	9732-122-010	9732-122-010	9732-122-010	9732-122-010	9732-122-010	1
17	Acceptor, Coin (\$.25)	9021-001-010	9021-001-010	9021-001-010	9021-001-010	9021-001-010	1
18	Plastic Plug 1 1/2"-(inside cylinder)	9456-041-007	9456-041-007	9456-041-007			1
19	Key, Top- # 6324	6292-006-007	6292-006-007	6292-006-007	6292-006-007	6292-006-007	1
19	Cam, Lock-Top	9095-038-001	9095-038-001	9095-038-001	9095-038-001	9095-038-001	1
--	Nut, 9/32 - 28 Hex	8640-426-001	8640-426-001	8640-426-001	8640-426-001	8640-426-001	1
--	Washer Flat 5/16	8641-581-008	8641-581-008	8641-581-008	8641-581-008	8641-581-008	1

Rear View Access Part # by Model

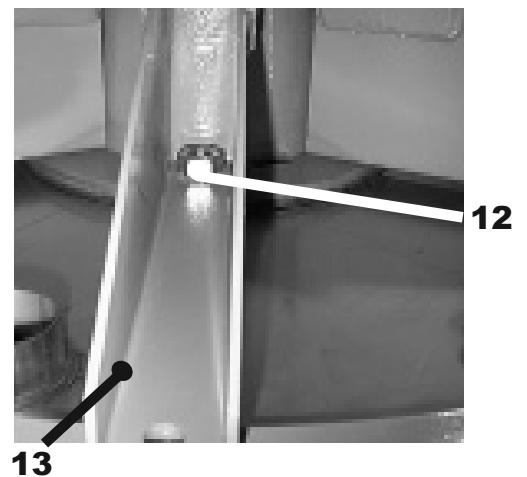
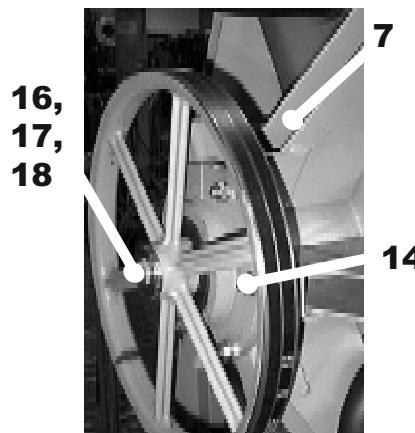
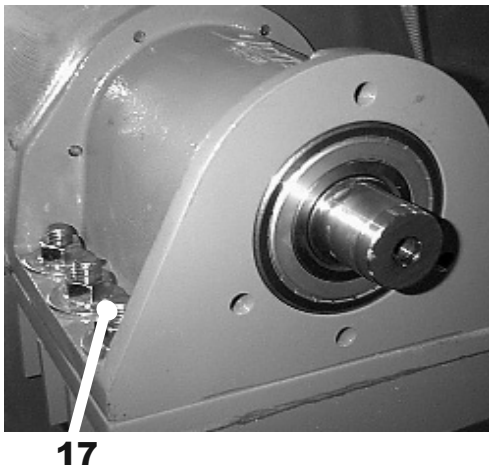
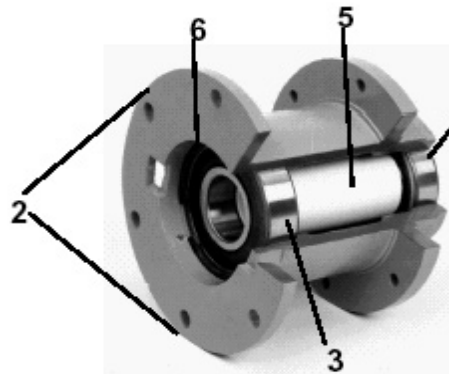
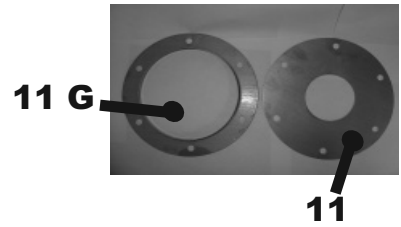
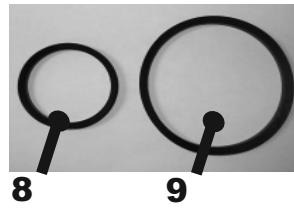
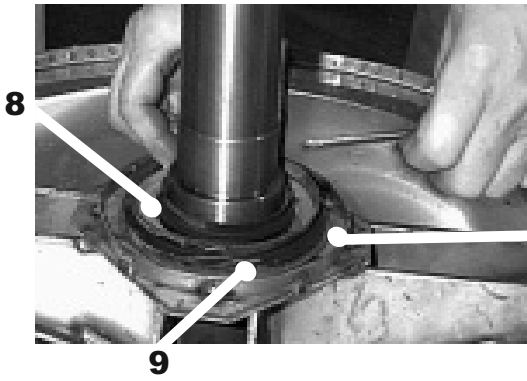
Key	Description	T-300	T-400	T-600	T-900	T-1200	QTY
1	Drive Motor, 3 Phase (Inverter duty)	9732-127-011	9732-127-011	9732-127-011	9376-308-001	9376-308-001	1
	Drive Motor After Serial #483620	9732-225-001					
2	Rod, Motor Mtg	9497-222-002	9497-222-002	9497-222-004			1
--	Screw (end of motor rod)	9545-029-005	9545-029-005	9545-029-005			1
--	Lockwasher (end of motor rod)	8641-582-014	8641-582-014	8641-582-014			1
3	Collar, Shaft (w/set screws)	9076-052-002	9076-052-002	9076-052-002	9076-052-002	9076-052-002	2
4	Pulley, Motor	9453-169-012	9453-170-003	9453-170-003	9453-175-002	9453-175-002	1
--	Set Screw,Sq.Hd(motor pulley)	9545-028-015	9545-028-015	9545-028-015			2
--	Tolerance Ring	9487-234-002	9487-234-001	9487-234-003			1
5	Pulley, Driven	9908-041-002	9453-168-004	9453-168-003	9453-176-005	9453-176-005	1
6	Screw 1/2-13x1 1/4"	9545-017-009	9545-017-009				1
6	Screw 5/8-11x1 1/2"			9545-060-001			1
6	Lockwasher 1/2"	8641-582-016	8641-582-016				1
6	Lockwasher 5/8"			8641-582-018			1
7	Washer, Flat 1/2"	8641-581-026	8641-581-026				1
7	Washer, Flat 5/8x2 1/4"			8641-581-032			1
8	Drive Belt	9040-076-004			9040-079-002	9040-079-003	1
8	Drive Belt		9040-076-005	9040-076-005			2
9	Channel, Rear	9081-132-001	9081-135-001	9081-134-001	9081-109-001	9081-140-001	1
10	Screw	9545-008-026	9545-008-026	9545-008-026	9545-008-026	9545-008-026	4
--	Nut, Spring	8640-399-008	8640-399-008	8640-399-008			4
--	Nut, Spring			8640-399-008	8640-399-008		6
--	Nut, Spring	8640-399-004	8640-399-004			8640-399-008	6
11	Hose, Overflow to drain	9242-449-002	9242-449-002	9242-449-002	9242-449-003	9242-449-003	1
--	Hose, Overflow Vent Top	9242-463-001	9242-463-001				
12	Clamp, Hose Vent	8654-117-008	8654-117-008	8654-117-008	8654-117-008	8654-117-008	2
12	Clamp, Hose overflow to drain	8654-117-018	8654-117-018	8654-117-018	8654-117-018	8654-117-018	2
13	Vaccum Breaker ALL	9610-001-001	9610-001-001	9610-001-001	9610-001-001	9610-001-001	1
--	Clamp, Hose to Vacuum Breaker	8654-117-014	8654-117-008	8654-117-014	8654-117-014	8654-117-014	1
16	Hose, Vacuum Breaker to tub	9242-458-001	9242-458-002	9242-458-002	9242-458-003	9242-458-003	1
14	Plastic Plug 7/8" Electrical Connection	9456-041-006	9456-041-006	9456-041-006			2
--	Panel Assy., Back	9454-632-001	9989-446-002	9989-446-001	9989-455-001	9989-491-001	1
--	Screw Panel Mtg.#10Bx1/2"	9545-008-026	9545-008-026	9545-008-026			10
--	Screw Panel Mtg.#10Bx1/2"				9545-008-026		9
--	Screw, 10Bx 1/2 Panel Mtg					9545-008-026	13
15	Hose, Pressure Switch	9242-175-000	9242-175-000	9242-175-002	9242-175-007	9242-175-006	1
--	Clamp, Pressure Switch Hose	8654-117-015	8654-117-015	8654-117-015	8654-117-015	8654-117-015	1
29	Bushing Taperlock (Driven & Large)				9053-078-002	9053-078-002	1
30	Bushing, Split Taper (Motor Pulley)				9053-077-001	9053-077-001	1
--	Screw For Split Taper (1/4 - 20 x1)				9545-018-024	9545-018-021	3
--	Screw, To Base-1/4x3/4				9545-030-002	9545-030-002	1
18	Strap Bracket, Motor Tension	9029-027-003	9029-027-003	9029-027-003			1



Key	Description	T-300	T-400	T-600	T-900	T-1200	QTY
19	Nut, Strap to Motor	8640-413-002	8640-413-002	8640-413-002			1
19	Washer	8641-581-006	8641-581-006	8641-581-006			1
20	Spring, Belt Tension	9534-319-002	9534-319-002	9534-319-002			1
21	Bolt, Eye (1/4"-20x1/2")	9545-055-001	9545-055-002	9545-055-001	9545-055-001	9545-055-001	1
22	Nut, 1/4 Elastic Stop	8640-414-003	8640-414-003	8640-414-003	8640-414-003	8640-414-003	1
23	VFD Delta "S" drive 120 volt	9375-004-002					1
23	VFD Delta "S" drive 208-240 volt	9375-005-002	9375-007-007	9375-007-009	9375-009-007	9375-009-011	1
24	Braking resistors (200 ohm)	9483-004-002					1
24	Braking resistors (200 ohm)		9483-004-002	9483-004-002			2
24	Braking resistors (160 ohm)				9483-004-003	9483-004-003	2
25	Bracket assembly (drive mounting)	9985-177-001	9985-177-001	9985-177-001	9985-115-001	9029-150-001	1
26	Link (open end)				9341-046-001	9341-046-001	1
27	Chain (Spring Tension)				9099-012-003	9099-012-004	1
28	Spring, Belt Tension				9534-151-000	9534-151-000	1

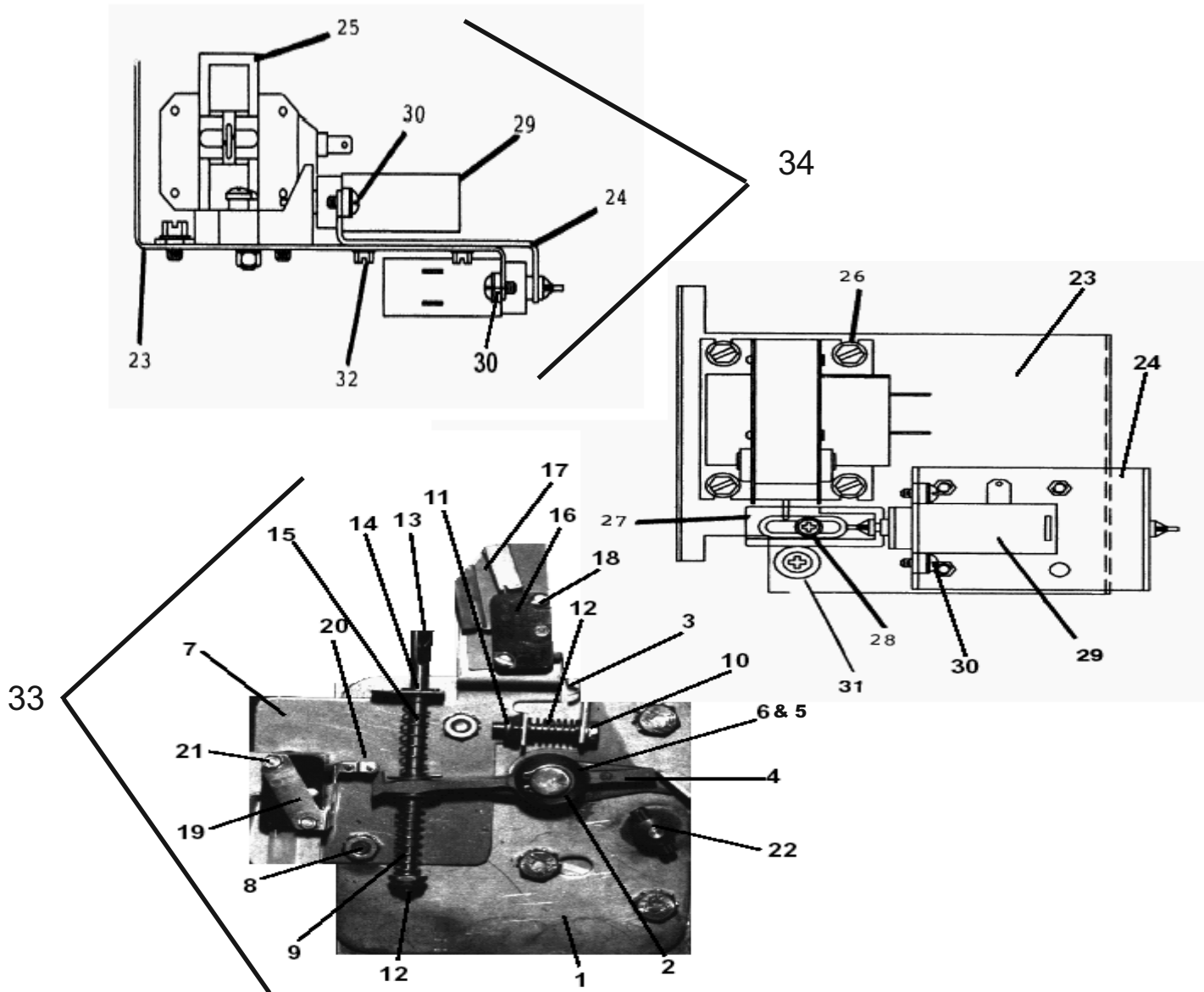
Cylinder, Seals & Bearings Part # by Model

Key	Description	T-300	T-400	T-600	T-900	T-1200	QTY
*	Housing, Bearing- Assembly (items #2-#6)	9803-182-001	9803-179-002	9803-186-001	9803-187-001	9803-187-001	1
2	Housing, Bearing	9241-174-002	9241-169-002	9241-180-002	9241-181-004	9241-181-004	1
3	Bearing, Front (LARGE)	9036-159-001	9036-159-002	9036-159-005	9036-159-006	9036-159-006	1
4	Bearing, Rear (SMALL)	9036-159-003	9036-159-001	9036-159-004	9036-159-005	9036-159-005	1
5	Spacer, Bearing	9538-161-001	9538-158-001	9538-167-001	9538-170-001	9538-170-001	1
6	Ring, Bearing Retainer	9487-238-002	9487-238-001	9487-238-003	9487-238-004	9487-238-004	1
7	Back Assy, Tub 2 piece	9732-137-001	9732-137-002	9732-137-003			1
8	Seal, Primary	9532-140-004	9532-140-002	9532-140-002	9532-140-007	9532-140-007	1
9	Seal, Secondary	9532-140-005	9532-140-003	9532-140-006	9532-140-011	9532-140-011	1
10	Ring, Seal Mounting	9950-047-001	9950-042-001	9950-048-001	9950-052-001	9950-052-001	1
11	Tub Back Mating Ring	9487-261-001	9487-261-002	9487-261-003	9487-261-004	9487-261-004	1
11G	Mating Ring Guard Shield				9487-266-001	9487-266-001	1
12	Bolt, Tub End of Bearing Housing (1/2" x 1 1/4")	9545-017-009	9545-017-009				6
12	Nut 1/2"	8640-417-002	8640-417-005				6
12	Lockwasher 1/2" (ext. tooth)		8641-582-016				
12	Bolt 5/8-11x1 1/2" Tub end of bearing housing			9545-059-003			6
12	Nut 5/8"			8640-425-001			6
12	Lockwasher 5/8"			8641-582-018			6
13	Support Arm Assy, Bearing Housing	9991-049-002	9991-048-002	9991-056-002			6
14	Bolt Pulley End of Bearing Housing (3/8" x 1 1/2")		9545-029-003				6
14	Nut, Flange Locking 3/8"		8640-415-004				6
14	Bolt Pulley end of bearing housing (7/16-14x2")			9545-059-003			6
14	Nut, Flange Locking 7/16"			8640-416-005			6
15	Pulley, Driven	9908-041-002	9453-168-004	9453-168-003	9453-176-005	9453-176-005	1
--	Ring, Tolerance	9487-234-002	9487-234-001	9487-234-003			1
16	Washer 1/2"	8641-581-026	8641-581-026				1
16	Washer 5/8"			8641-581-032			1
18	Bolt 1/2-13 x 1 1/4"	9545-017-009	9545-017-009				1
19	Bolt 5/8-11x1 1/2"			9545-060-001			1
20	Lockwasher 1/2" Ext. tooth	8641-582-016	8641-582-016				1
18	Lockwasher 5/8 Ext. tooth			8641-582-018			1
--	Cylinder Assy	9848-111-001	9848-109-001	9848-113-001	9848-116-001	9848-125-001	1
--	Tub and Cylinder Assy.	9869-006-001	9869-016-001	9869-017-001	9869-018-001	9869-015-002	1
21	Screw, Bearing Housing, 3/4-10 x 3				9545-057-002	9545-057-002	6
--	Washer, Flat- To Frame				8641-581-033		6
--	Washer, External Tooth				8641-582-020		6
--	Nut 3/4-10				8640-418-003	8640-418-003	6
--	Screw, 7/16-14 x 1 SS (Tub Back to Bearing Housing)				9545-059-004	9545-059-004	6
--	Flat Washer	8641-582-020					6



Key	Description	T-300	T-400	T-600	T-900	T-1200	QTY
--	Washer, Flat 5/8" At Bearing Housing				8641-581-034	8641-581-034	6
--	Bushing, Taper				9053-078-002	9053-078-002	1
--	Screw 3/8-16-2				9545-029-011	9545-029-011	3
--	Lockwasher spring 3/8				8641-582-003	8641-582-003	3
--	Clamp					8654-117-017	4
17	Washers Spherical 3/4 (Male half)					8641-588-001	4
17	Washers Spherical 3/4 (Female half)					8641-588-002	6

Parts Data



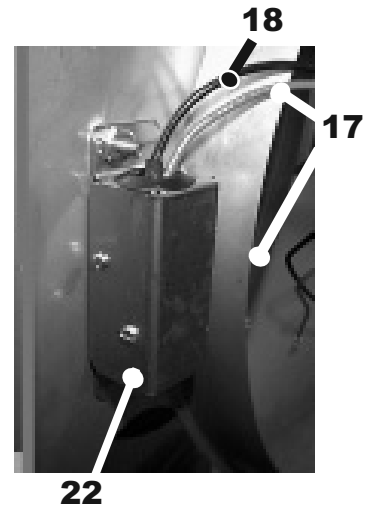
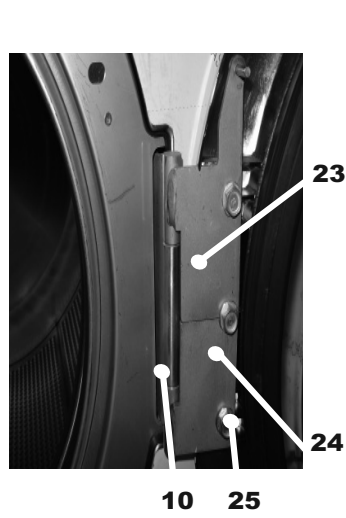
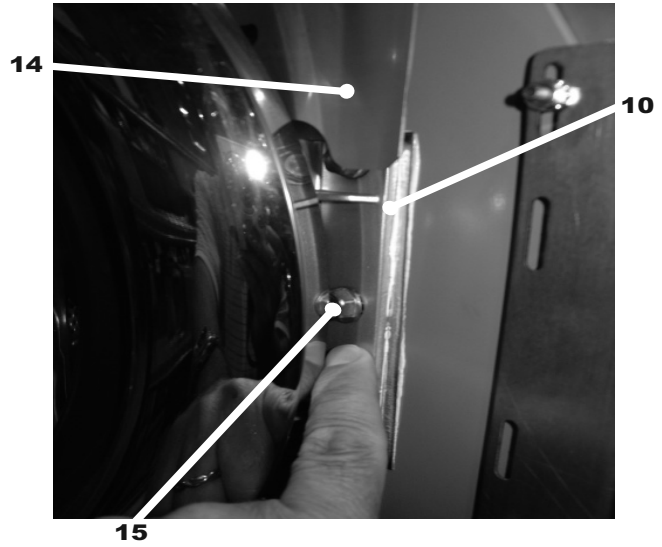
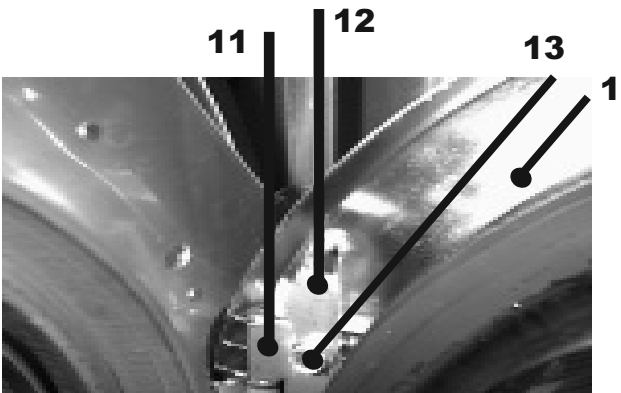
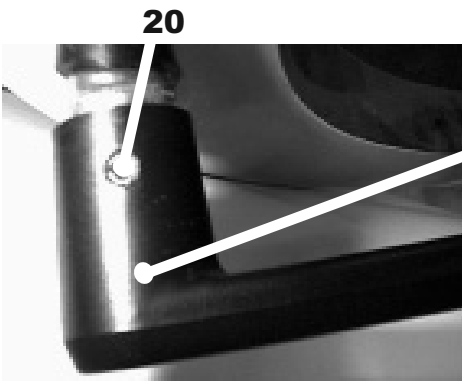
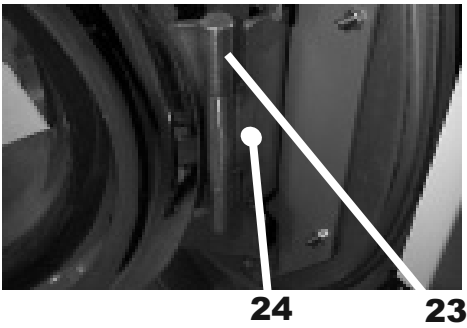
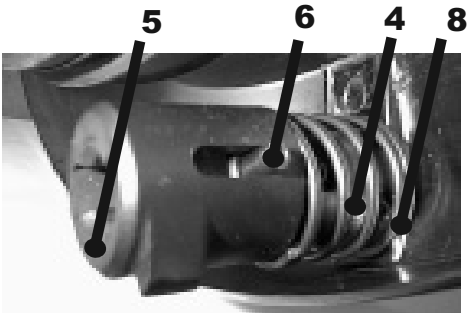
Door Lock Part # by Model

Key	Description	T-300	T-400	T-600	T-900	T-1200	QTY
33	Lock Assy, Complete (#1-22) (includes #1 thru #22)	9885-023-001	9885-023-001	9885-023-001	9885-023-001	9885-023-001	1
1	Plate Assy, Door Lock	9982-284-001	9982-284-001	9982-284-001	9982-284-001	9982-284-001	1
2	Washer, Flat	8641-581-030	8641-581-030	8641-581-030	8641-581-030	8641-581-030	1
3	Actuator, Latching Switch	9008-005-001	9008-005-001	9008-005-001	9008-005-001	9008-005-001	1
4	Pawl, Locking	9450-002-002	9450-002-002	9450-002-002	9450-002-002	9450-002-002	1
5	Washer, Spring	8641-569-003	8641-569-003	8641-569-003	8641-569-003	8641-569-003	1
6	Ring, Retaining	9487-200-004	9487-200-004	9487-200-004	9487-200-004	9487-200-004	1

Door Lock Part # by Model (continued)

Key	Description	T-300	T-400	T-600	T-900	T-1200	QTY
7	Bracket, Switch	9029-035-001	9029-035-001	9029-035-001	9029-035-001	9029-035-001	1
8	Nut, Hex 10-32 UNF	8640-413-002	8640-413-002	8640-413-002	8640-413-002	8640-413-002	2
9	Spring, Actuating	9534-364-002	9534-364-002	9534-364-002	9534-364-002	9534-364-002	1
10	Screw, Hx. 10-32 x 1"	9545-012-020	9545-012-020	9545-012-020	9545-012-020	9545-012-020	1
11	Nut, Elastic Stop 10-32	8640-413-004	8640-413-004	8640-413-004	8640-413-004	8640-413-004	2
12	Spring, Return	9534-364-001	9534-364-001	9534-364-001	9534-364-001	9534-364-001	2
13	Pin, Guide	9451-193-001	9451-193-001	9451-193-001	9451-193-001	9451-193-001	1
14	Ring, Retaining	9487-200-005	9487-200-005	9487-200-005	9487-200-005	9487-200-005	1
15	Washer	8641-581-031	8641-581-031	8641-581-031	8641-581-031	8641-581-031	1
16	Switch, Latching Sensing	9539-461-008	9539-461-008	9539-461-008	9539-461-008	9539-461-008	1
17	Shield, Switch	9550-169-003	9550-169-003	9550-169-003	9550-169-003	9550-169-003	3
18	Screw 4-40 x 5/8"	9545-020-001	9545-020-001	9545-020-001	9545-020-001	9545-020-001	2
18	Nut, Twin	8640-401-001	8640-401-001	8640-401-001	8640-401-001	8640-401-001	1
19	Switch, Locking Sensing	9539-461-007	9539-461-007	9539-461-007	9539-461-007	9539-461-007	2
20	Actuator, Switch	9008-006-002	9008-006-002	9008-006-002	9008-006-002	9008-006-002	2
21	Screw 4-40 x 1 1/8"	9545-020-003	9545-020-003	9545-020-003	9545-020-003	9545-020-003	2
21	Nut, Twin 4-40	8640-401-001	8640-401-001	8640-401-001	8640-401-001	8640-401-001	1
22	Pin, Dowel	9451-181-004	9451-181-004	9451-181-004	9451-181-004	9451-181-004	1
--	Shim, Door Lock, Thin	9552-037-001	9552-037-001	9552-037-001	9552-037-001	9552-037-001	AR
--	Screw, Lock mtg 1/4"-20 x 3/4"	9545-018-004	9545-018-004	9545-018-004	9545-018-004	9545-018-004	3
--	Lockwasher 1/4" Ext tooth	8641-582-007	8641-582-007	8641-582-007	8641-582-007	8641-582-007	3
34	Solenoid Ass'y, Door Locking (includes 23 thru 32)	9922-011-001	9922-011-001	9922-011-001	9922-011-001	9922-011-001	1
23	Bracket, (Door Locking Solenoid)	9029-073-001	9029-073-001	9029-073-001	9029-073-001	9029-073-001	1
24	Bracket Ass'y, Solenoid Slide	9985-169-001	9985-169-001	9985-169-001	9985-169-001	9985-169-001	1
25	Solenoid 120V 60 hz	9536-074-001	9536-074-001	9536-074-001	9536-074-001	9536-074-001	1
26	Screw, Solenoid Mtg	9545-008-001	9545-008-001	9545-008-001	9545-008-001	9545-008-001	4
27	Stop, Door Lock Solenoid	9540-033-002	9540-033-002	9540-033-002	9540-033-002	9540-033-002	1
28	Screw, Shoulder	9545-061-001	9545-061-001	9545-061-001	9545-061-001	9545-061-001	1
28	Nut, Keps #6	8640-411-002	8640-411-002	8640-411-002	8640-411-002	8640-411-002	1
29	Thermoactuator 120 V	9586-001-001	9586-001-001	9586-001-001	9586-001-001	9586-001-001	2
30	Screw #6 x 5/16"	9545-031-011	9545-031-011	9545-031-011	9545-031-011	9545-031-011	4
31	Spacer, Plastic	9538-157-004	9538-157-004	9538-157-004	9538-157-004	9538-157-004	1
31	Spacer, Metal	9538-166-004	9538-166-004	9538-166-004	9538-166-004	9538-166-004	1
31	Screw, Cross Recessed	9545-010-001	9545-010-001	9545-010-001	9545-010-001	9545-010-001	1
31	Nut, Keps #8	8640-412-005	8640-412-005	8640-412-005	8640-412-005	8640-412-005	1
--	Nut, Sol. Brkt. to Control Panel	8640-412-005	8640-412-005	8640-412-005	8640-412-005	8640-412-005	3
--	Rod, Pull	9497-225-004	9497-225-006	9497-225-003	9497-225-007	9497-225-009	1

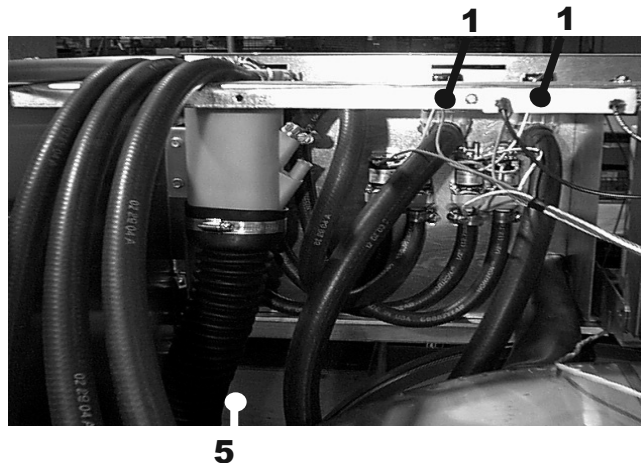
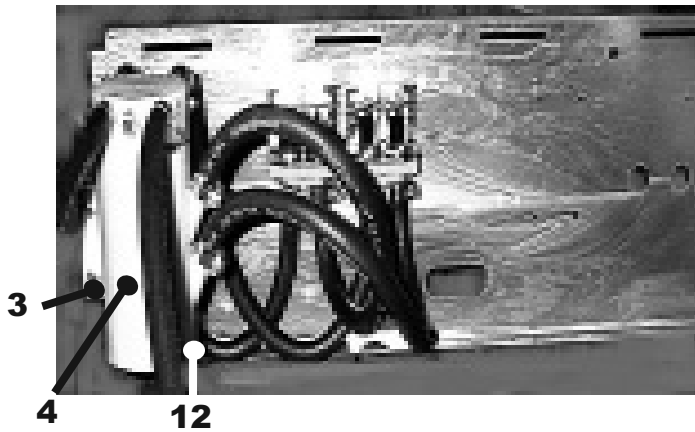
Parts Data



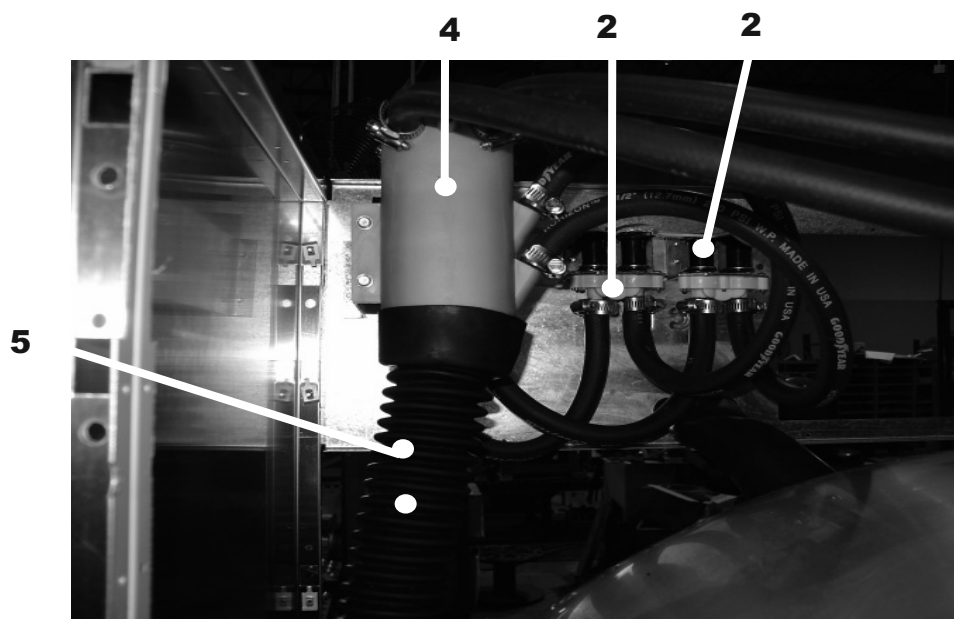
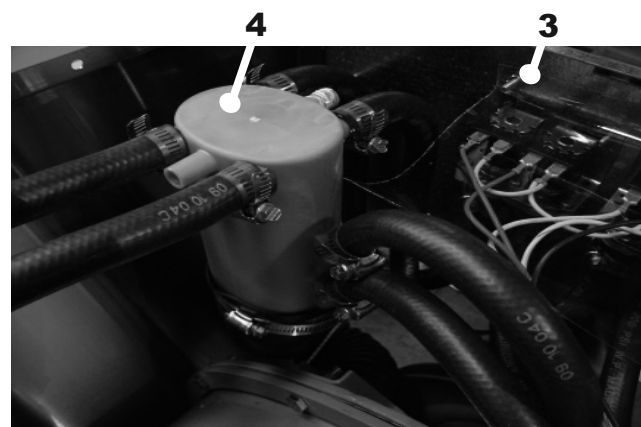
Loading Door Part # by Model

Key	Description	T-300	T-400	T-600	T-900	T-1200	QTY
--	Loading Door, Complete #1-10	9960-273-001	9960-274-002	9960-274-002	9960-274-002	9960-274-004	1
1	Loading Door, Ring	9487-264-001	9487-265-001	9487-265-001	9487-265-001	9487-265-002	1
2	Gasket, Loading Door	9206-411-002	9206-419-001	9206-419-001	9206-419-001	9206-419-001	1
3	Window, Loading Door	9635-018-001	9635-016-001	9635-016-001	9635-016-001	9635-016-001	1
--	Shaft Assy, Locking (includes 4 thru 7)	9913-134-003	9913-134-003	9913-134-003	9913-134-003	9913-134-003	1
4	Shaft, Door Locking	9537-195-002	9537-195-002	9537-195-002	9537-195-002	9537-195-002	1
5	Cam, Locking	9095-040-002	9095-040-002	9095-040-002	9095-040-002	9095-040-002	1
6	Pin, Groove (1 1/4)	9451-181-005	9451-181-005	9451-181-005	9451-181-005	9451-181-005	1
7	Pin, Groove (3/4)	9451-181-004	9451-181-004	9451-181-004	9451-181-004	9451-181-005	1
8	Spring, Lock Cam	9534-360-002	9534-360-002	9534-360-002	9534-360-002	9534-360-002	1
9	Handle, Door	9244-080-003	9244-080-003	9244-080-003	9244-080-003	9244-080-003	1
10	Door Hinge Assy (mounts to Tub Front)	9243-079-001	9243-079-001	9243-079-001	9243-079-001	9955-030-001	1
20	Pin, Door Handle (groove)	9451-181-006	9451-181-006	9451-181-006	9451-181-006	9451-181-006	1
21	Screw, Hinge Mtg 5/16" x 3/4"	9545-014-009	9545-014-009	9545-014-009	9545-014-009	9545-014-009	3
--	Lockwasher 5/16" Ext tooth	8641-582-009	8641-582-009	8641-582-009	8641-582-009	8641-582-009	3
--	Shim, Loading Door Hinge, Thin	9552-036-001	9552-036-001	9552-036-001	9552-036-001	9552-036-001	AR
11	Loading Door Hinge Pin Brass	9451-184-004	9451-184-004	9451-184-004	9451-184-004		1
--	Ring, Retaining (snap ring ext)	8649-031-000	8649-031-000	8649-031-000	8649-031-000		1
12	Loading Door Hinge Clamp (mounts to door ring)	9938-040-001	9938-040-002	9938-040-001	9938-040-001		1
13	Screw, Loading Door Mtg (5/16" TF)	9545-056-001	9545-056-001	9545-056-001	9545-056-001		3
14	Masking Assembly	9950-059-001	9950-060-001	9950-060-001	9950-060-001	9950-060-002	1
--	Rubber Edge (mounts to Front Panel)	9059-063-004	9059-063-002	9059-063-002	9059-063-002	9059-063-002	1
--	Nut, Keps	8640-413-002	8640-413-002	8640-413-002	8640-413-002	8640-413-002	4
15	Switch Safety	9539-461-007	9539-461-007	9539-461-007	9539-461-007	9539-461-007	1
16	Safety switch shield	9550-159-001	9550-159-001	9550-159-001	9550-159-001	9550-159-001	1
--	Wiring Harness doorlock safety switch	9627-791-003	9627-791-003	9627-791-004	9627-791-004	9627-791-004	1
17	Wires Red	8220-062-027	8220-062-027	8220-062-027	8220-062-027	8220-062-027	1
18	Wires Black	8220-062-028	8220-062-028	8220-062-028	8220-062-028	8220-062-028	1
19	Switch Assembly Complete Door Closure	9801-089-001	9801-089-001	9801-089-001	9801-089-001	9801-089-001	1
22	Switch Box	9041-087-001	9041-087-001	9041-087-001	9041-087-001	9041-087-001	1
--	Bushing Insulating	9053-067-003	9053-067-003	9053-067-003	9053-067-003	9053-067-003	1
--	Nut Special Twin #4-40	8640-401-001	8640-401-001	8640-401-001	8640-401-001	8640-401-001	1
--	Screw 4-40x5/8	9545-020-001	9545-020-001	9545-020-001	9545-020-001	9545-020-001	2
--	Door Switch Actuator	9008-004-001	9008-004-001	9008-004-001	9008-004-001	9008-004-001	1
23	Top, Loading Door Leaf Hinge.with pin					9845-005-003	1
24	Bottom, Loading Door Leaf Hinge					9845-005-002	1
25	Screw, Loading Door Mtg.					9545-056-002	1

Parts Data

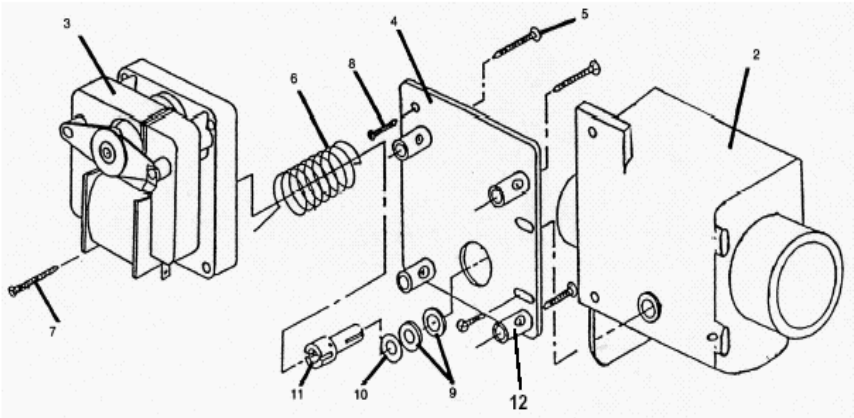
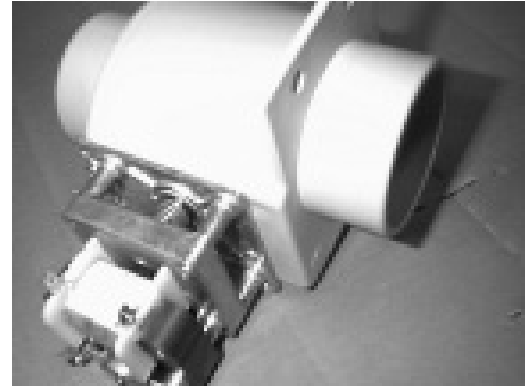


14 & 15



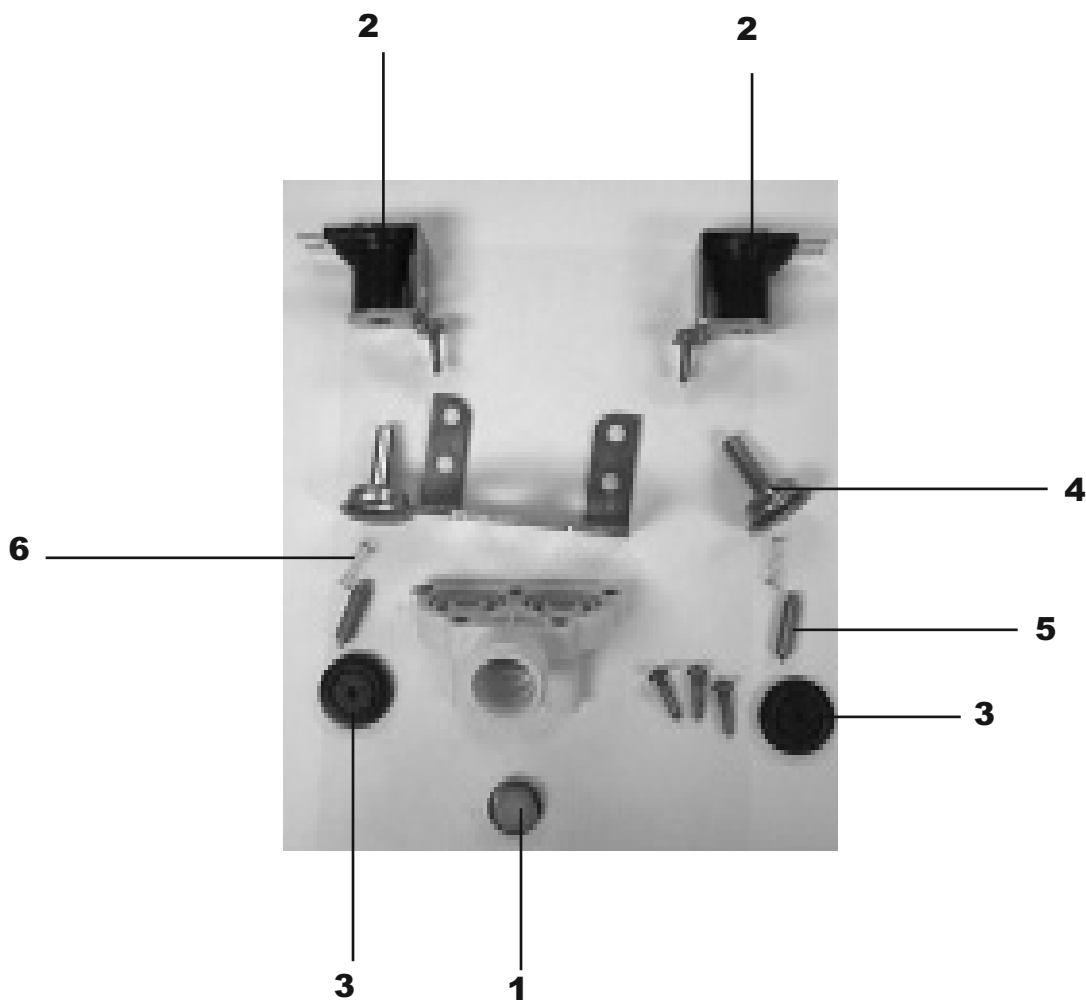
Water Inlet Part # by Model

Key	Description	T-300	T-400	T-600	T-900	T-1200	QTY
1	Valve, Water Inlet (dual outlet) (see Water Inlet Valve Breakdown for individual parts)	9379-183-003	9379-183-003	9379-183-003	9379-183-003	9379-194-001	2
2	Valve Water Inlet (single outlet)					9379-192-001	2
--	Screw, Valve Mtg	9545-008-026	9545-008-026	9545-008-026	9545-008-026		4
--	Nut, Spring	8640-399-009	8640-399-009	8640-399-009	8640-399-009		4
--	Screw, Valve M4x0.7x8mm					9545-064-001	8
3	Guard Water Valve Terminal				9208-049-001	9208-049-001	1
4	Vacuum Breaker	9610-001-001	9610-001-001	9610-001-001	9610-001-001	9610-001-001	1
--	Bracket, Vacuum Breaker	9029-065-001	9029-065-001	9029-077-001	9029-069-001	9029-069-001	1
--	Screw	9545-008-026	9545-008-026	9545-008-026	9545-008-026	9545-008-026	4
--	Shield over Water Valves Plastic	9550-186-001	9550-186-001	9550-186-001	9550-186-001		1
5	Hose, Vacuum Breaker to Tub	9242-458-001	9242-458-002	9242-458-002	9242-458-003	9242-458-003	1
--	Clamp, Vacuum Breaker End	8654-117-014	8654-117-014	8654-117-014	8654-117-014	8654-117-014	1
--	Clamp, Tub End	8654-117-009	8654-117-009	8654-117-009			1
6	Hose, Vac. Brkr. to Disp.29"				9242-453-018		1
7	Hose, Vac. Brkr. to Disp.26"				9242-453-019		1
8	Hose, Hot Valve to Vac. Brkr 18"	9242-453-020	9242-453-020	9242-453-020	9242-453-020	9242-466-002	1
9	Hose, Hot Valve to Tub 18"	9242-453-020	9242-453-020	9242-453-020	9242-453-020	9242-466-002	1
10	Hose, Cold Valve to Vac. Brkr 18"	9242-453-020	9242-453-020	9242-453-020	9242-453-020	9242-466-002	1
11	Hose, Cold Valve to Tub 18"	9242-453-020	9242-453-020	9242-453-020	9242-453-020	9242-466-002	1
12	Hose, Vac. Brkr. dispenser 43"					9242-453-022	3
13	Hose, (valve to vac. Brkr) 23"					9242-453-009	4
--	Clamp, Hose-Spring (overflow from drain to tub back)	8654-117-018	8654-117-018	8654-117-018	8654-117-018	8654-117-018	2
--	Clamp, Hose-Worm	8654-117-015	8654-117-015	8654-117-015	8654-117-015	8654-117-015	1
--	Flow restrictor	9475-002-002	9475-002-002	9475-002-002	9475-002-002		2
--	Flow restrictor					9475-002-003	3
--	Circuit Breaker (optional)	5198-211-004	5198-211-004	5198-211-004	5198-211-004		1
14	Fuseholder	9200-001-002	9200-001-002	9200-001-002	9200-001-002	9200-001-002	1
15	Fuse 1.5 amp	8636-018-001	8636-018-001	8636-018-001	8636-018-001		1
15	Fuse 2.5 amp					8636-018-004	1



Drain Valve Group Part # by Model

Key	Description	T-300	T-400	T-600	T-900	T-1200	QTY
--	Valve, Drain (includes #2 thru #11)	9379-177-009	9379-187-004	9379-187-004	9379-187-004	9379-187-004	1
2	Body, Valve (w/ball)	9064-068-001	9064-070-001	9064-070-001	9064-070-001	9064-070-001	1
3	Motor & Gear Train (complete)	9914-137-012	9914-137-011	9914-137-011	9914-137-011	9914-137-011	1
4	Plate, Motor Mtg	9452-538-001	9452-538-001	9452-538-001	9452-538-001	9452-538-001	1
5	Screw	8639-994-001	8639-994-001	8639-994-001	8639-994-001	8639-994-001	3
6	Spring, Drive	9534-340-001	9534-339-001	9534-339-001	9534-339-001	9534-339-001	1
7	Screw	9545-054-001	9545-054-001	9545-054-001	9545-054-001	9545-054-001	2
8	Screw	9545-054-002	9545-054-002	9545-054-002	9545-054-002	9545-054-002	1
9	Seal, V Packer	9532-134-001	9532-134-001	9532-134-001	9532-134-001	9532-134-001	2
10	Washer	8641-584-001	8641-584-001	8641-584-001	8641-584-001	8641-584-001	1
11	Pin, Main Drive	9451-196-001	9451-196-001	9451-196-001	9451-196-001	9451-196-001	1
12	Plate (spacers needed for replacement motor mtg. plate)	9538-149-001	9538-149-001	9538-149-001	9538-149-001	9538-149-001	4
13	Stator and Coil Assembly	9089-036-004	9089-036-004	9089-036-004	9089-036-004	9089-036-004	1
--	Valve Drain before Serial # 482181	9379-177-006	9379-187-001	9379-187-001	9379-187-001	9379-187-001	1
--	Motor Gear Train to Fit 0						
	before Serial # 482181	9914-137-001	9914-137-001	9914-137-001	9379-177-006	9379-177-006	1



Water Inlet Valve Breakdown Part # by Model

Key	Description	T-300	T-400	T-600	T-900	T-1200	QTY
*	Valve, Water Inlet (includes 1 thru 6)	9379-183-003	9379-183-003	9379-183-003	9379-183-003		2
1	Screen, Inlet end of valve	9555-056-001	9555-056-001	9555-056-001	9555-056-001		2
2	Coil Assy., 120 V	9089-017-001	9089-017-001	9089-017-001	9089-017-001		2
3	Diaphragm	9118-049-001	9118-049-001	9118-049-001	9118-049-001		2
4	Guide, Solenoid	9211-021-002	9211-021-002	9211-021-002	9211-021-002		2
5	Armature	9015-008-001	9015-008-001	9015-008-001	9015-008-001		2
6	Spring, Armature	9534-298-001	9534-298-001	9534-298-001	9534-298-001		2
--	Screw, Valve Mtg					9545-008-026	2
--	Valve, Water Inlet double outlet					9379-192-001	2
--	Valve, Water Inlet single outlet					9379-194-001	2

Wiring Harness Part # by Model

Key	Description	T-300	T-400	T-600	T-900	T-1200	QTY
--	Wiring Harness (Add Bleach Lite assy included)	9794-001-001	9794-001-001	9794-001-001	9794-001-001	9794-001-001	1
--	Wiring Harness, Door Lock	9627-791-003	9627-791-003	9627-791-004	9627-791-004	9627-791-004	1
--	Wiring Harness,CoinDrop Mech	9627-792-001	9627-792-001	9627-792-001	9627-792-001	9627-792-001	1
--	Wiring Harness, Drain,Thermo,DoorSo	9627-796-001	9627-796-001	9627-796-002	9627-796-002	9627-796-002	1
--	Data Cable	9806-015-001	9806-015-001	9806-015-001	9806-015-001	9806-015-003	1
--	Wiring Harness P20/P21	9627-793-001	9627-793-001	9627-793-001	9627-793-001	9627-793-001	1
--	Wiring Harness P8/P16	9627-794-001	9627-794-001	9627-794-001	9627-794-001	9627-794-001	1
--	Wiring Harness WaterValve/P19	9627-795-001	9627-795-001	9627-795-002	9627-795-002	9627-795-002	1
--	Wiring Harness LED PCB	9627-797-001	9627-797-001	9627-797-001	9627-797-001	9627-797-001	1
--	Wiring Harness P5/pressure	9627-800-001	9627-801-001	9627-802-001	9627-803-001	9627-803-001	1
--	Wiring Assembly Yel. 32"	8220-064-023	8220-064-023	8220-064-023	8220-064-023		2
--	Wiring Assembly Yel. 64"					8220-064-040	2
--	Wiring Assembly Red 20"	8220-001-282	8220-001-282				2
--	Wiring Assembly Red 41"					8220-062-032	2
--	Wiring Assembly Vio. 24"	8220-118-001		8220-118-001		8220-118-001	2
--	Wiring Assembly Wht/Brn 8"					8220-108-007	1
--	Wiring Assembly Jumper Yel	8220-123-001	8220-123-001	8220-123-001	8220-123-001	8220-128-001	1
--	Wiring Assembly Red 28"			8220-062-025	8220-062-025		2
--	Wiring Assembly Blk. 17"	8220-062-028	8220-062-028	8220-062-028	8220-062-028	8220-062-028	1
--	Wiring Assembly Red 17"	8220-062-027	8220-062-027	8220-062-027	8220-062-027	8220-062-027	1
--	Wiring Assembly Jumper BLK.		8220-117-002	8220-117-002	8220-117-002	8220-117-003	2
--	Wiring Assembly Red 7"	9631-381-018	9631-381-018	9631-381-018	9631-381-018	9631-381-018	1
--	Wiring Assembly Blu/Wht	8220-090-009	8220-090-009	8220-090-009	8220-090-009	8220-090-009	1
--	Wiring Assembly Blk/Blu	8220-001-231	8220-001-231	8220-001-231	8220-001-231	8220-001-231	1
--	Wire Assembly Green 7"	8220-001-478					1
--	Harness Power Terminal Block	9627-831-001	9627-747-003	9627-747-003	9627-747-002	9627-747-002	1

Labels and Diagrams All WCAD Models



Door Label



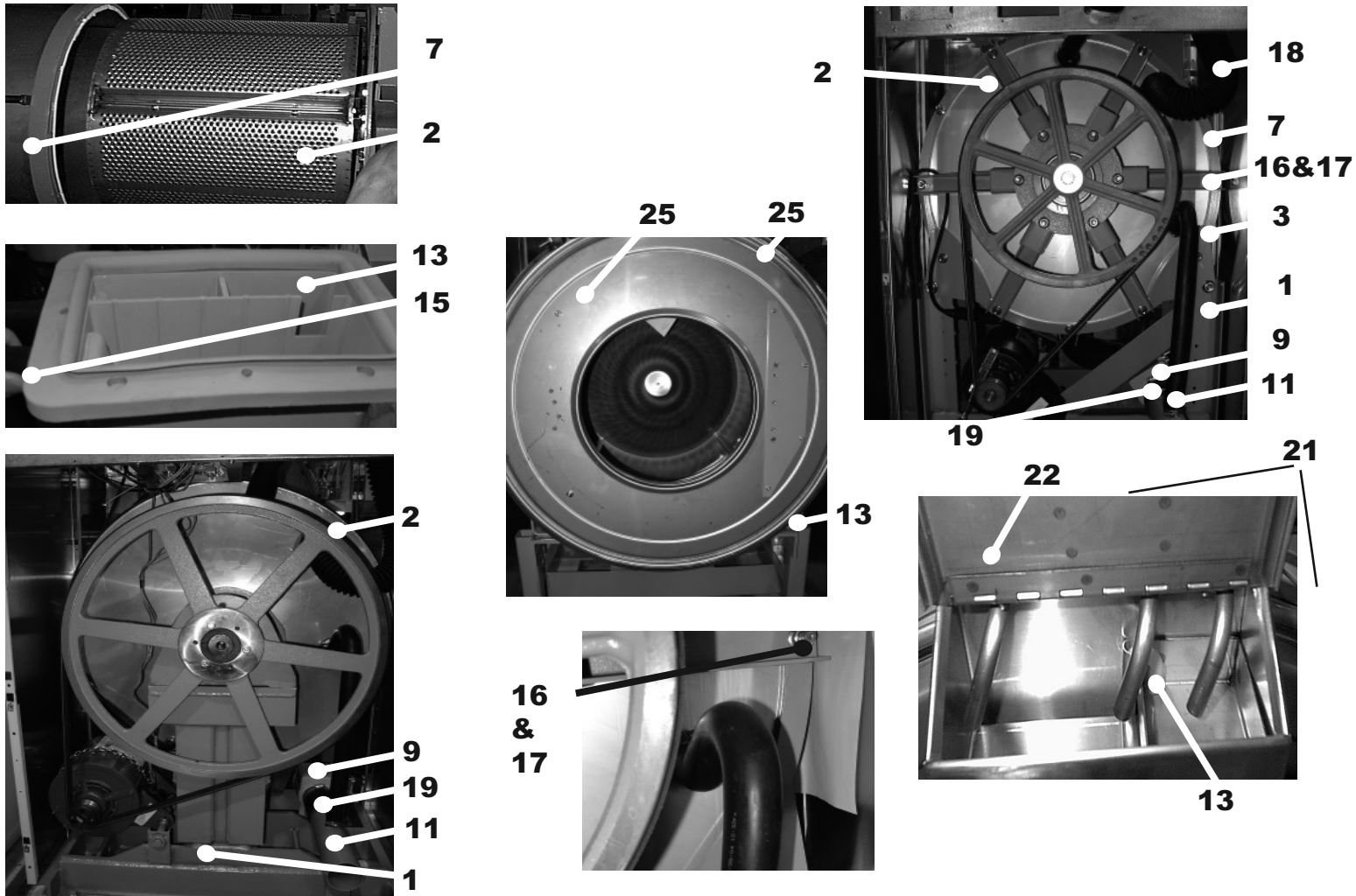
Risk of Injury Label



Instructions Label
On Name Plate

Key	Description	T-300	T-400	T-600	T-900	T-1200	QTY
--	Wiring Diagram, Coin (120 V)	9506-117-001					
--	Wiring Diagram, Coin	9506-119-001	9506-121-001	9506-125-001	9506-127-001	9506-129-001	
--	Wiring Diagram Easy Card (120 V)	9506-103-001					
--	Wiring Diagram (Easy Card)	9506-105-001	9506-107-001	9506-111-001	9506-113-001	9506-115-001	
--	Transient Voltage Surge Suppressor Infomational	8507-330-001	8507-330-001	8507-330-001	8507-330-001	8507-330-001	
--	Instructions Spin Direction	8507-273-001	8507-274-001	8507-274-001	8507-275-001	8507-275-001	
--	Wiring Schematic, Coin (120 V)	9506-116-001					
--	Wiring Schematic, Easy Card (120 V)	9506-102-001					
--	Wiring Schematic, Coin	9506-118-001	9506-120-001	9506-124-001	9506-126-001	9506-128-001	
--	Wiring Schematic, Easy Card	9506-104-001	9506-106-001	9506-110-001	9506-112-001	9506-114-001	
--	Label High Voltage Warning	8502-614-004	8502-614-004	8502-614-004	8502-614-004	8502-614-004	
--	Label Fusing & Installation	8502-619-003	8502-619-003	8502-619-003	8502-619-003	8502-619-003	
--	Label Quality	8511-001-002	8511-001-002	8511-001-002	8511-001-002	8511-001-002	
1	Label Warning Risk of Injury	8502-722-002	8502-722-002	8502-722-002	8502-722-002	8502-722-002	
2	Label Warning Door Opening	8502-723-001	8502-723-001	8502-723-001	8502-723-001	8502-723-001	
--	Booklet Owners	8514-093-001	8514-095-001	8514-097-001	8514-099-001	8514-100-001	
--	Label Nameplate RH (STOP)	8502-726-001					

Parts Data



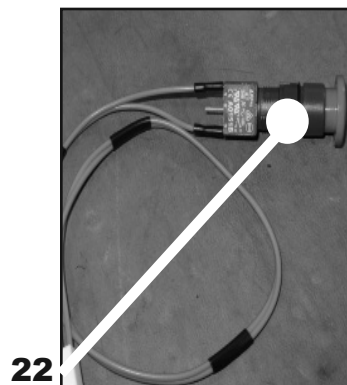
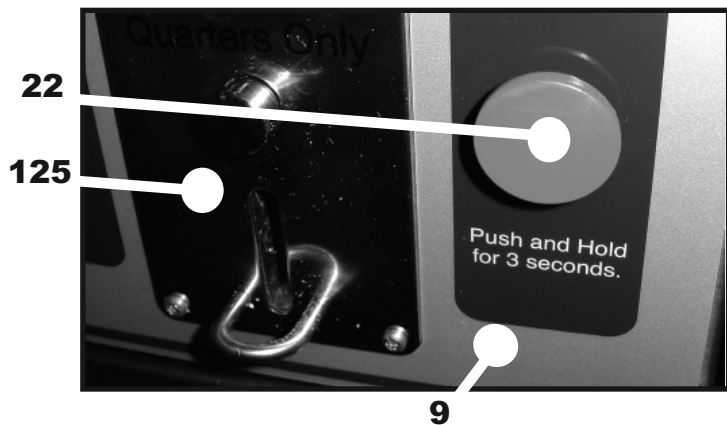
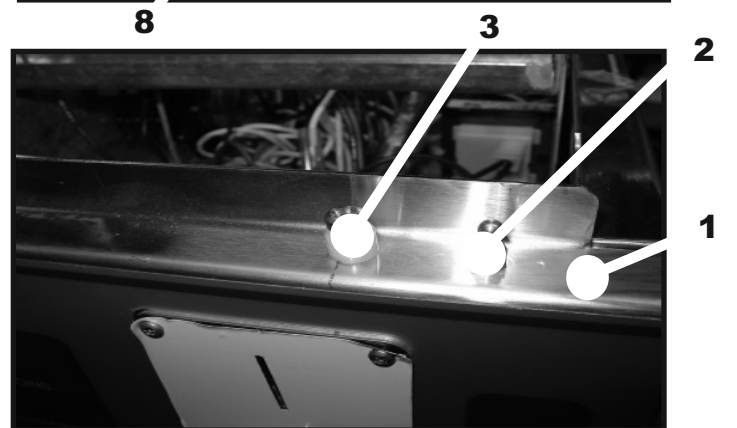
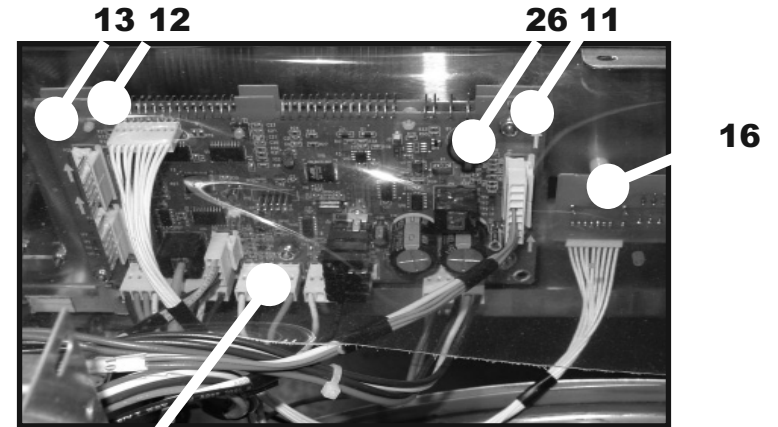
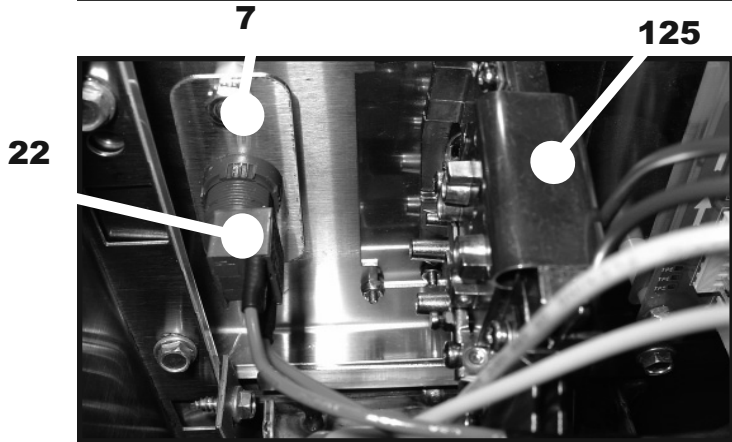
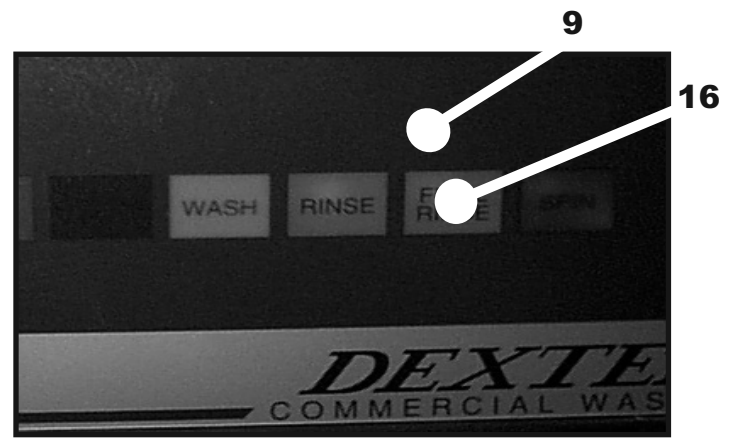
Chassis and Drain Part # by Model

Key	Description	T-300	T-400	T-600	T-900	T-1200	QTY
1	Base Assy,Frame	9945-093-002	9945-087-002	9945-097-002	9945-105-002	9945-125-002	1
2	Outer Tub Assy	9930-135-001	9930-145-001	9930-146-001	9930-138-001	9930-144-001	1
--	Tub & Cylinder Assy	9869-006-001	9869-016-001	9869-017-001	9869-018-001		1
4	Ring Assy, Tub Mtg-Front	9950-045-002		9950-050-002	9950-053-002	9950-053-002	1
5	Bolt, Top Front Ring 5/8" x 3"			9545-017-006			1
5	Nut WCAD 5/8"			8640-425-001			1
5	Lockwasher			8641-582-018			1
7	Ring Assy.Clamp Tub Mtg.- Rear	9950-046-002	9950-041-004	9950-056-003	9950-055-001	9950-055-001	1
8	Bolt, 1/2" x 1 1/4 Rings to Base	9545-017-009					4
--	Washer		8641-581-018	8641-581-018			1
--	Screw Tube (Bracket to Base 1/4Bx3/4)	9545-030-002	9545-030-002	9545-030-002			2
11	Tube Assy, Drain	9915-116-004	9915-119-002	9915-118-002	9915-124-002	9915-126-002	1

Chassis and Drain Part # by Model (continued)

Key	Description	T-300	T-400	T-600	T-900	T-1200	QTY
--	Washer	8641-582-016					1
--	Nut 1/2"	8640-417-005					4
--	Hose, Tub to Drain Valve	9242-455-001	9242-456-001	9242-456-001	9242-459-001	9242-459-001	1
8	Lockwasher		8641-582-018	8641-582-018			4
8	Nut, Hex 5/8-11		8640-425-001	8640-425-001			4
9	Valve, Drain	9379-177-009	9379-187-004	9379-187-004	9379-187-004	9379-187-004	1
10	Bracket, Drain Valve	9029-005-001	9029-005-001	9029-055-001			1
--	Screw, Valve to Bracket 12ABx1/2	9545-008-026	9545-008-026	9545-030-020			1
19	Hose, Drain Valve to Tube	9242-451-002	9242-457-001	9242-457-001	9242-457-001	9242-457-001	1
--	Clamp, Hose (Drain Valve to Tube)	8654-117-014	8654-117-014	8654-117-014			4
--	Clamp, Hose (Drain Valve to Tube)				8654-117-014	8654-117-014	5
--	Shim, Support Assembly (thin)	9552-038-003	9552-038-001	9552-038-003	9552-013-003	9552-013-003	AR
18	Hose, Vacuum Brkr. to Tub	9242-458-002	9242-458-002	9242-458-002			1
13	Dispenser Soap	9122-105-004	9122-105-004	9122-105-004	9122-105-004		1
15	Gasket, Dispenser	9206-416-001	9206-416-001	9206-416-001	9206-416-001		1
--	Nut Spring SS	8640-399-007	8640-399-007	8640-399-007	8640-399-007		4
--	Hose, Dispenser to Tub	9242-450-002	9242-450-002	9242-450-001	9242-450-001		1
--	Clamp, Dispenser Hose	8654-117-008	8654-117-008	8654-117-008	8654-117-008	8654-117-008	2
14	Back Ass'y, Tub	9732-137-001	9732-137-002	9732-137-003			1
16	Bolt, 7/16" x 2" Tub Back to Tub	9545-029-003	9545-029-002	9545-029-003			12
17	Nut, Flange Lock	8640-415-004	8640-416-005	8640-416-005			12
20	Bolt, 1/2-13x2, Grd 5 Tub to Base				9545-017-013	9545-017-013	2
--	Washer, Flat				8641-581-026	8641-581-026	4
21	Soap Box Assembly Complete SS					9807-091-001	1
--	Soap Box mounting Gasket					9206-425-001	1
22	Lid Assembly soap box					9987-104-001	1
--	Lid screws #10-32x1/2 SS					9545-012-017	1
--	Screw Hexhead 1/2 x 2				9545-017-013	9545-017-013	1
--	Nut Whizlok					8640-417-005	1
--	Nut Hex Elasticstop #10-32 SS					8640-413-006	6
--	Spacer Plastic #10x1/2					9538-157-019	4
--	Bracket Soap box mounting					9029-148-001	1
23	Softner siphon tube					9574-252-002	1
--	Flow restrictors					9475-002-003	3
25	Front Ass'y, Tub				9974-007-001	9974-007-002	1
--	Screw, 3/8-16x3				9545-029-009	9545-029-009	1
24	Nut, Hex 3/8-16				8640-415-001	8640-415-001	1
--	Gasket, Tub Front				9206-421-002	9206-421-002	1
--	Pipe Plug 1/2"				8615-104-039	8615-104-039	2

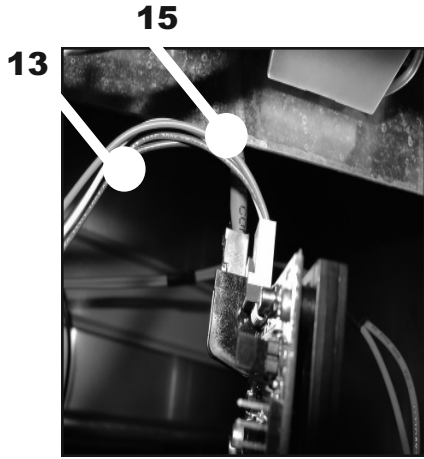
Parts Data



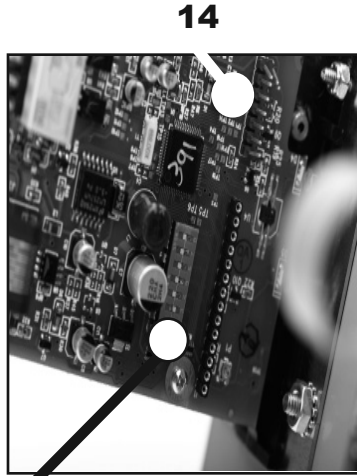
Coin Acceptor Control Panel Part # by Model

Key	Description	T-300	T-400	T-600	T-900	T-1200	QTY
1	Panel Control Assembly(panel only)	9989-496-001	9989-497-001	9989-499-001	9989-500-001	9989-500-001	1
--	Screw, Hxwshrhdundct #10Bx 1/2"	9545-008-026	9545-008-026	9545-008-026	9545-008-026	9545-008-026	4
2	Post Locator Top	9467-024-001	9467-024-001	9467-024-001			2
--	Nut Hexkeps #6-32	8640-411-003	8640-411-003	8640-411-003			2
3	Locator Panel	9355-001-001	9355-001-001	9355-001-001	9355-001-001	9355-001-001	2
--	Screw FillHDCR 10Bx1/2" Guide	9545-008-025	9545-008-025	9545-008-025	9545-008-025	9545-008-025	2
--	Spacer Pushbutton (Micro)	9538-178-001	9538-178-001	9538-178-001	9538-178-001	9538-178-001	1
--	Retainer Pushbutton (Micro)	9486-150-001	9486-150-001	9486-150-001	9486-150-001	9486-150-001	1
--	Nut Hexelasticstop #4-40	8640-424-002	8640-424-002	8640-424-002	8640-424-002	8640-424-002	2
10	Pushbutton Control (coin)	9035-060-003	9035-060-003	9035-060-003	9035-060-003	9035-060-003	1
7	PCB assembly Control /Display STOP	9473-009-001	9473-009-001	9473-009-001	9473-009-001	9473-009-001	1
11	Spacer Plastic #6x9/16	9538-157-018	9538-157-018	9538-157-018	9538-157-018	9538-157-018	5
11	Nut Elasticstop #6-32	8640-411-002	8640-411-002	8640-411-002	8640-411-002	8640-411-002	5
--	Harness LEDPCB	9627-797-001	9627-797-001	9627-797-001	9627-797-001	9627-797-001	1
8	Harness Doorlock	9627-791-003	9627-791-003	9627-791-004	9627-791-004	9627-791-004	1
16	PCB assembly Mode lights	9473-005-001	9473-005-001	9473-005-001	9473-005-001	9473-005-001	1
--	Spacer Plastic #6x9/16	9538-157-018	9538-157-018	9538-157-018	9538-157-018	9538-157-018	2
9	Nut Hexkeps #6-32	8640-411-003	8640-411-003	8640-411-003	8640-411-003	8640-411-003	2
19	Light, LED,ADD BLEACH Assembly	9794-001-001	9794-001-001	9794-001-001	9794-001-001	9794-001-001	1
--	Spacer Plastic #6x9/16	9538-157-018	9538-157-018	9538-157-018	9538-157-018	9538-157-018	2
--	Nut Hexeps #6-32	8640-411-003	8640-411-003	8640-411-003	8640-411-003	8640-411-003	2
--	Nameplate,Control Panel (one piece)	9412-135-001	9412-137-001	9412-139-001	9412-141-001	9412-142-001	1
22	Switch Assembly Emergency Stop (includes wire harness)	9732-223-001	9732-223-001	9732-223-001	9732-223-001	9732-223-001	1
--	Spacer Plastic #8x5/16 E-Stop	9538-157-020	9538-157-020	9538-157-020	9538-157-020	9538-157-020	2
--	Nut HexKep #8-32 E-Stop	8640-412-005	8640-412-005	8640-412-005	8640-412-005	8640-412-005	2
--	Solenoid Ass'y, Door Locking (see Door Lock Group for parts breakdown)	9922-011-001	9922-011-001	9922-011-001	9922-011-001	9922-011-001	1
--	Hex Nuts (mounting solenoid assy. to control panel)	8640-412-005	8640-412-005	8640-412-005	8640-412-005	8640-412-005	3
26	Battery	8612-001-001	8612-001-001	8612-001-001	8612-001-001	8612-001-001	1
125	Coin Acceptor \$.25 US	9021-001-010	9021-001-010	9021-001-010	9021-001-010	9021-001-010	1
--	Plastic Shield over main PCB	9550-184-001	9550-184-001	9550-184-001	9550-184-001	9550-184-001	1
27	-Plate to mount e-stop button	9452-725-001	9452-725-001	9452-725-001	9452-725-001	9452-725-001	1

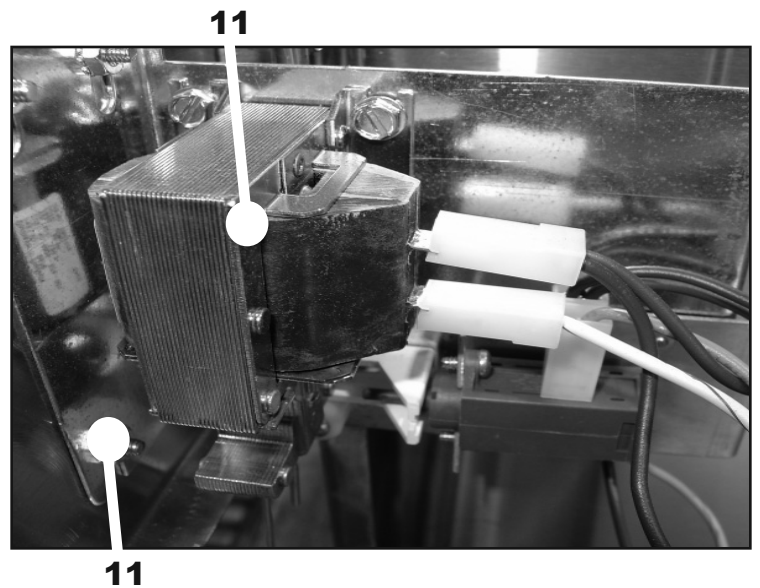
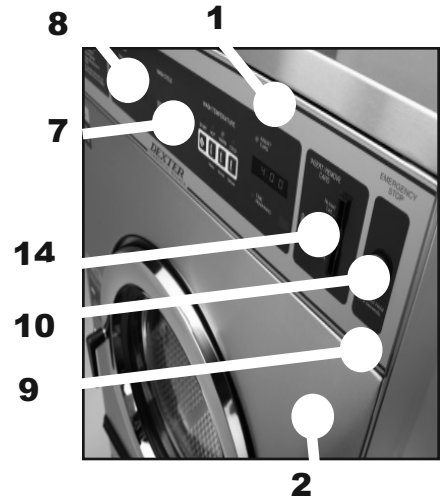
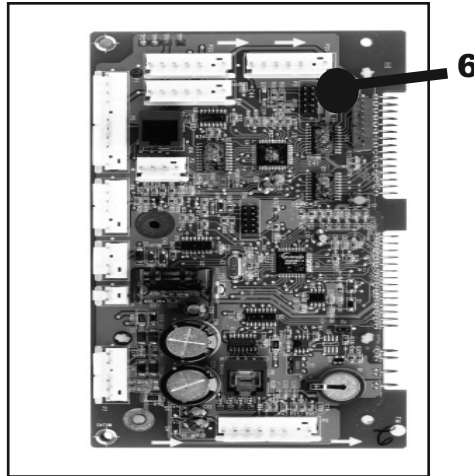
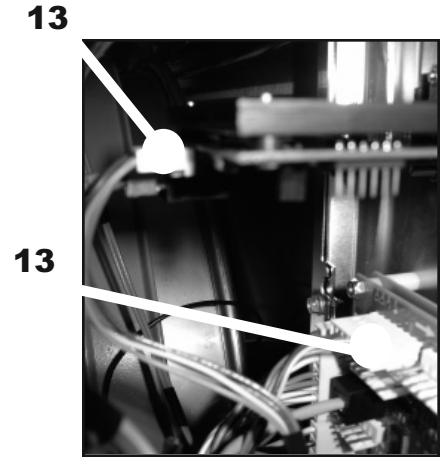
Parts Data



**Reader Wire
Harness
Connection**



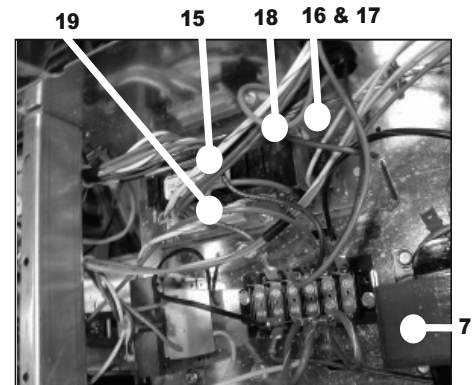
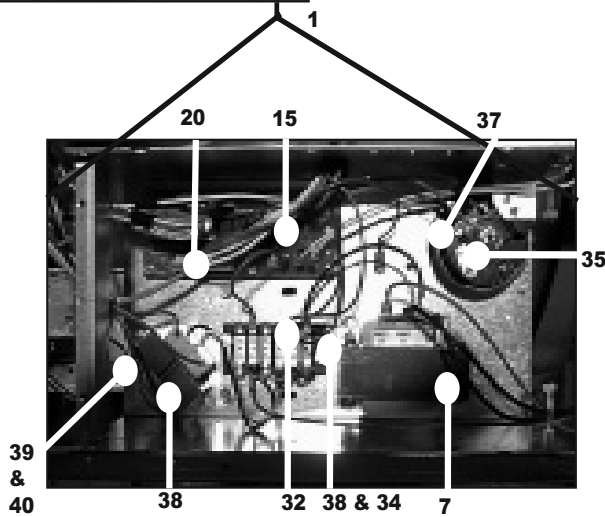
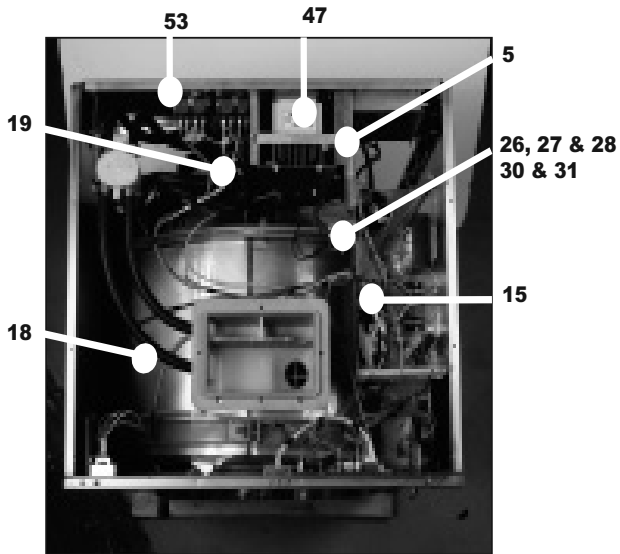
Address Switch



Integrated Easy Card Control Panel Part # by Model

Key	Description	T-300	T-400	T-600	T-900	T-1200	QTY
1	Panel Assembly (panel only)	9989-501-001	9989-502-001	9989-503-001	9989-504-001	9989-504-001	1
--	Screw, Hxwshrhdundct #10Bx 1/2"	9545-008-026	9545-008-026	9545-008-026	9545-008-026	9545-008-026	4
2	Front Panel	9454-781-002	9454-659-002	9454-669-002	9454-671-002	9454-768-001	1
--	Post Locator Top	9467-024-001	9467-024-001	9467-024-001			2
--	Nut Hexkeps #6-32	8640-411-003	8640-411-003	8640-411-003			2
--	Locator Panel	9355-001-001	9355-001-001	9355-001-001	9355-001-001	9355-001-001	2
--	Screw FillHDCR 10Bx1/2"	9545-008-023	9545-008-023	9545-008-023	9545-008-023	9545-008-023	2
--	Spacer Pushbutton (Micro)	9538-178-001	9538-178-001	9538-178-001	9538-178-001	9538-178-001	1
--	Retainer Pushbutton (Micro)	9486-150-001	9486-150-001	9486-150-001	9486-150-001	9486-150-001	1
--	Nut Hexelasticstop #4-40	8640-424-002	8640-424-002	8640-424-002	8640-424-002	8640-424-002	2
5	Pushbutton Control (coin)	9035-060-003	9035-060-003	9035-060-003	9035-060-003	9035-060-003	1
6	PCB assembly Control /Display STOP	9473-009-001	9473-009-001	9473-009-001	9473-009-001	9473-009-001	1
--	Spacer Plastic #6x9/16	9538-157-018	9538-157-018	9538-157-018	9538-157-018	9538-157-018	5
--	Nut Elasticstop #6-32	8640-411-002	8640-411-002	8640-411-002	8640-411-002	8640-411-002	5
--	Harness LEDPCB	9627-797-001	9627-797-001	9627-797-001	9627-797-001	9627-797-001	1
--	Harness Doorlock	9627-791-003	9627-791-003	9627-791-004	9627-791-004	9627-791-004	1
7	PCB assembly Mode lights	9473-005-001	9473-005-001	9473-005-001	9473-005-001	9473-005-001	1
--	Spacer Plastic #6x9/16	9538-157-018	9538-157-018	9538-157-018	9538-157-018	9538-157-018	2
--	Nut Hexkeps #6-32	8640-411-003	8640-411-003	8640-411-003	8640-411-003	8640-411-003	2
8	Light, LED,ADD BLEACH Assembly	9794-001-001	9794-001-001	9794-001-001	9794-001-001	9794-001-001	1
--	Spacer Plastic #6x9/16	9538-157-018	9538-157-018	9538-157-018	9538-157-018	9538-157-018	2
--	Nut Hexeps #6-32	8640-411-003	8640-411-003	8640-411-003	8640-411-003	8640-411-003	2
9	Nameplate,Control Panel (one piece)	9412-144-001	9412-146-001	9412-148-001	9412-150-001	9412-151-001	1
10	Switch Assembly Emergency Stop	9732-223-001	9732-223-001	9732-223-001	9732-223-001	9732-223-001	1
11	Solenoid Ass'y, Door Locking (see Door Lock Group for parts breakdown)	9922-011-001	9922-011-001	9922-011-001	9922-011-001	9922-011-001	1
16	Hex Nuts (mounting solenoid assy. to control panel)	8640-412-005	8640-412-005	8640-412-005	8640-412-005	8640-412-005	3
12	Battery	8612-001-001	8612-001-001	8612-001-001	8612-001-001	8612-001-001	1
13	Harness V-reader ALL MODELS	9627-827-001	9627-827-001	9627-827-001	9627-827-001	9627-827-001	1
14	Card Reader Assembly Complete	9797-007-002	9797-007-002	9797-007-002	9797-007-002	9797-007-002	1
15	Cable Assembly 4 twistair 12' shld/unshld reader to rear of machine	9806-013-002	9806-013-002	9806-013-002	9806-013-002	9806-013-002	1

Parts Data



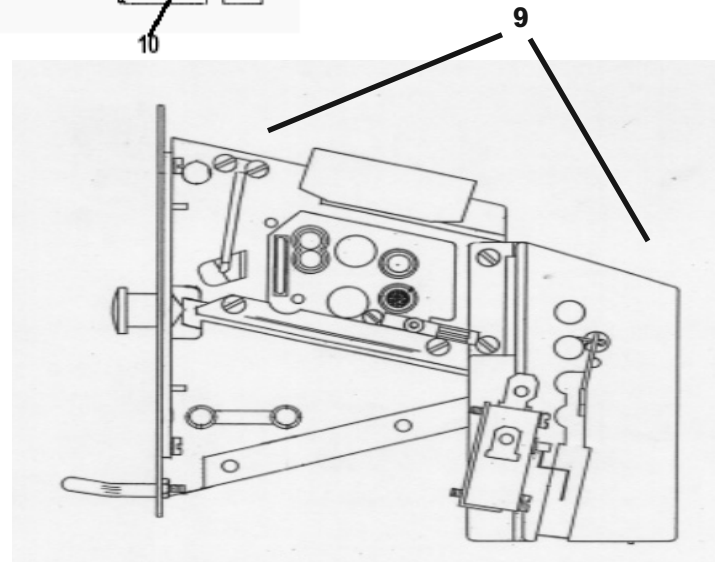
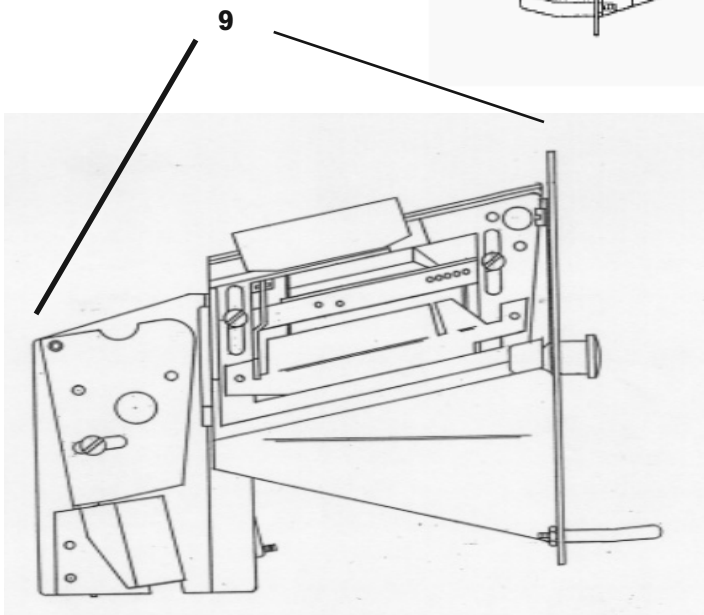
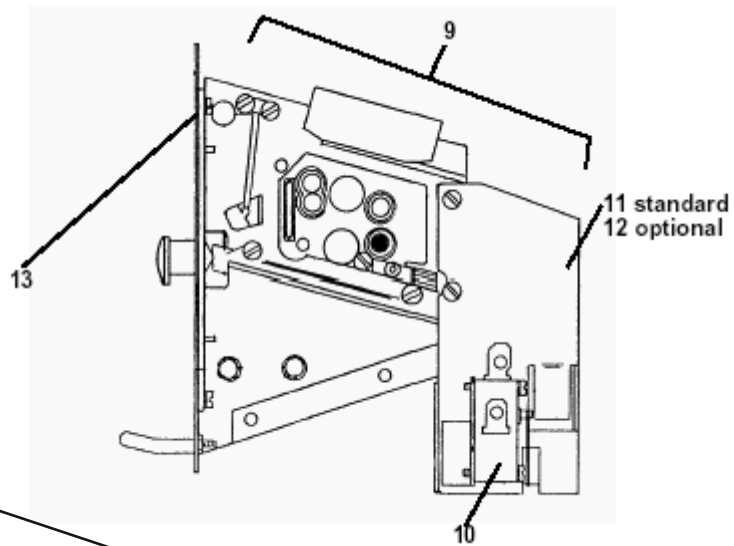
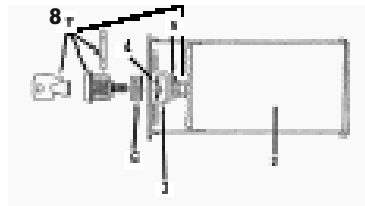
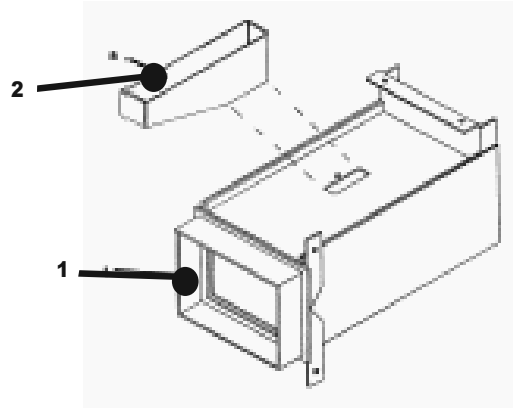
Electrical Components - Top Compartment

Key	Description	T-300	T-400	T-600	T-900	T-1200	QTY
1	Trough Assy,Controls 120 Volt (all parts below #2-#43 & trough)	9857-149-001					1
1	Trough Assy,Controls 208-240 volt (all parts below #2-#43 & trough)	9857-150-001	9857-151-001	9857-152-001	9857-154-001	9857-160-001	1
2	Trough only	9839-015-001	9839-015-001	9839-015-001	9839-015-001	9839-015-001	1
3	Screw, Trough Sides	9545-008-026	9545-008-026	9545-008-026	9545-008-026	9545-008-026	4
4	Lockwasher Exttooth #10	8641-582-006	8641-582-006	8641-582-006	8641-582-006	8641-582-006	4
5	Angle Support Trough	9003-270-001	9003-270-001	9003-271-001	9003-271-001		1
6	Screw, Trough Bracket	9545-008-026	9545-008-026	9545-008-026	9545-008-026		3
7	Transformer, Control (Operating Voltage to 115 volts)	8711-008-026	8711-004-001	8711-004-001	8711-004-001	8711-004-001	1
8	Screw, Mtg #8X1/4"	9545-008-001	9545-008-001	9545-008-001	9545-045-001	9545-045-001	2
10	Lockwasher	8641-582-006	8641-582-006	8641-582-006	8641-582-006	8641-582-006	2

Electrical Components - Top Compartment

Key	Description	T-300	T-400	T-600	T-900	T-1200	QTY
12	Screw GRN. #10-32x 1/2"	8639-621-007	8639-621-007	8639-621-007	8639-621-007	8639-621-007	1
13	Lockwasher #10	8641-582-006	8641-582-006	8641-582-006	8641-582-006	8641-582-006	1
14	Lug, Grounding	8652-130-037	8652-130-037	8652-130-037	8652-130-037	8652-130-037	1
15	PCB assembly Relay Main	9473-006-001	9473-006-001	9473-006-001	9473-006-001	9473-006-001	1
16	Spacer Plastic #8x3/8"	9538-157-011	9538-157-011	9538-157-011	9538-157-011	9538-157-011	6
17	Nuts Hexkeys #6-32	8640-411-003	8640-411-003	8640-411-003	8640-411-003	8640-411-003	6
18	Harness Drain/Therm/Sol	9627-796-001	9627-796-001	9627-796-002	9627-796-002	9627-796-002	1
19	Harness P19/Water Valve	9627-795-001	9627-795-001	9627-795-002	9627-795-002	9627-795-002	1
20	Harness P8/P16	9627-794-001	9627-794-001	9627-794-001	9627-794-001	9627-794-001	1
21	Harness P20/P21	9627-793-001	9627-793-001	9627-793-001	9627-793-001	9627-793-001	1
23	Bushing , Wire 7/8	9053-067-002	9053-067-002	9053-067-002	9053-067-002	9053-067-002	2
24	Standoff Twistlock	9527-002-002	9527-002-002	9527-002-002	9527-002-002	9527-002-002	3
25	Standoff Twistlock	9527-002-003	9527-002-003	9527-002-003	9527-002-003	9527-002-003	2
26	Dynamic Braking Resistor	9483-004-002	9483-004-002	9483-004-002	9483-004-003	9483-004-003	2
27	Screws #10-32x1/2" (pnhdcr)	9545-012-008	9545-012-008	9545-012-008	9545-012-008	9545-012-008	4
28	Nuts, #10-32 UNF 2B	8640-413-002	8640-413-002	8640-413-002	8640-413-002	8640-413-002	4
30	Screw #6-32x5/16"	9545-044-006	9545-044-006	9545-044-006	9545-044-006	9545-044-006	4
31	Nuts Hex #6-32	8640-411-003	8640-411-003	8640-411-003	8640-411-003	8640-411-003	4
32	Terminal Block Assy, POWER	9897-034-001	9897-034-001	9897-034-001	9897-034-001	9897-034-001	1
33	Screw, Mtg 8Bx3/8"	9545-045-007	9545-045-007	9545-045-007	9545-045-007	9545-045-007	2
34	Strip, Terminal Marker	9558-027-001	9558-027-001	9558-027-001	9558-027-001	9558-027-001	1
35	Switch, Pressure	9539-457-002	9539-457-003	9539-457-003	9539-457-002	9539-488-001	1
36	Screw, Mtg #8Bx1/4"	9545-045-001	9545-045-001	9545-045-001	9545-008-026	9545-008-026	2
37	Harness P5/Pressure	9627-800-001	9627-801-001	9627-802-001	9627-803-001	9627-803-001	1
38	Transformer, (Step Down) 120/2.3 VAC&24 VAC 50/60hz	8711-045-001	8711-045-001	8711-045-001	8711-045-001	8711-009-001	1
39	Screw, Transformer Mtg #10Bx1/2"	9545-045-001	9545-045-001	9545-045-001	9545-045-001	9545-045-001	4
40	Lockwasher #10 exttooth	8641-582-005	8641-582-005	8641-582-005	8641-582-005	8641-582-005	4
47	Variable Frequency Drive (120 v)	9375-004-002					1
47	Variable Frequency Drive	9375-005-002	9375-007-007	9375-007-009	9375-009-007	9375-009-011	1
48	Label Fuse 1.5 amp Rear	8502-716-001	8502-716-001	8502-716-001	8502-716-001		1
48	Label Fuse 2.5 amp Rear					8502-716-002	1
48	Terminal Block Assembly	9897-035-001	9897-033-002				1
--	Screw 8B x 1/2	9545-045-002	9545-031-010				2
--	Wiring Harness Power Terminal to VFD	9627-831-001	9627-747-003	9627-747-003			1
--	Wiring Harness Power Terminal				9627-747-002	9627-747-002	1
--	Plastic Shield Over Water Valve	9550-186-001	9550-186-001	9550-186-001	9550-186-001		1

Parts Data



Coin Handling Group Part # by Model

Key	Description	T-300	T-400	T-600	T-900	T-1200	QTY
1	Vault, Assy	9942-033-001	9942-033-002	9942-033-003	9942-032-001	9942-033-004	1
1	Screw, 10Bx 1/2" Vault Mtg	9545-008-026	9545-008-026	9545-008-026	9545-008-026	9545-008-026	2
1	Screw, 10AB x 1/2" Vault Mtg	9545-008-031	9545-008-031	9545-008-031	9545-008-031	9545-008-031	2
2	Coin Chute Assy.	9119-031-001	9119-031-001	9119-031-001	9119-029-001	9119-028-001	1
2	Screw, Chute Mtg	9545-008-001	9545-008-001	9545-008-001	9545-008-001	9545-008-001	1
8	Kit, Coin Box W/Hardware (includes 3 thru 6)	9732-122-001	9732-122-001	9732-122-001	9732-122-001	9732-122-001	1
3	Latch, Coin Box	9349-033-001	9349-033-001	9349-033-001	9349-033-001	9349-033-001	1
4	Washer, Wave	8641-569-002	8641-569-002	8641-569-002	8641-569-002	8641-569-002	1
5	Washer, Keeper	8641-583-001	8641-583-001	8641-583-001	8641-583-001	8641-583-001	1
6	Washer, Spacer- Thick	8641-581-008	8641-581-008	8641-581-008	8641-581-008	8641-581-008	2
6	Washer, Spacer- Thin	8641-581-010	8641-581-010	8641-581-010	8641-581-010	8641-581-010	4
7	Lock, Coin Box (w/key not incl. with 9732-122-001)	8650-012-002	8650-012-002	8650-012-002	8650-012-002	8650-012-002	1
11	Coin Acceptor chute without penny rejector (standard)	9119-025-002	9119-025-002	9119-025-002	9119-025-002	9119-025-002	1
--	Screw, Acceptor Mtg	9545-020-004	9545-020-004	9545-020-004	9545-020-004	9545-020-004	4
--	Nut	8640-424-002	8640-424-002	8640-424-002	8640-424-002	8640-424-002	4
10	Switch, Coin (fits single coin drop)	9732-126-001	9732-126-001	9732-126-001	9732-126-001	9732-126-001	1
12	Coin Acceptor chute with penny rejector (optional)	9119-025-001	9119-025-001	9119-025-001	9119-025-001	9119-025-001	(opt)
13	Button Coin Return Retainer	9486-133-001	9486-133-001	9486-133-001	9486-133-001	9486-133-001	1
9	Coin Acceptor Complete	9021-001-010	9021-001-010	9021-001-010	9021-001-010	9021-001-010	1

NOTE: COIN BOX AND HARDWARE KIT AND COIN BOX LOCK NOT INCLUDED WITH MACHINE.